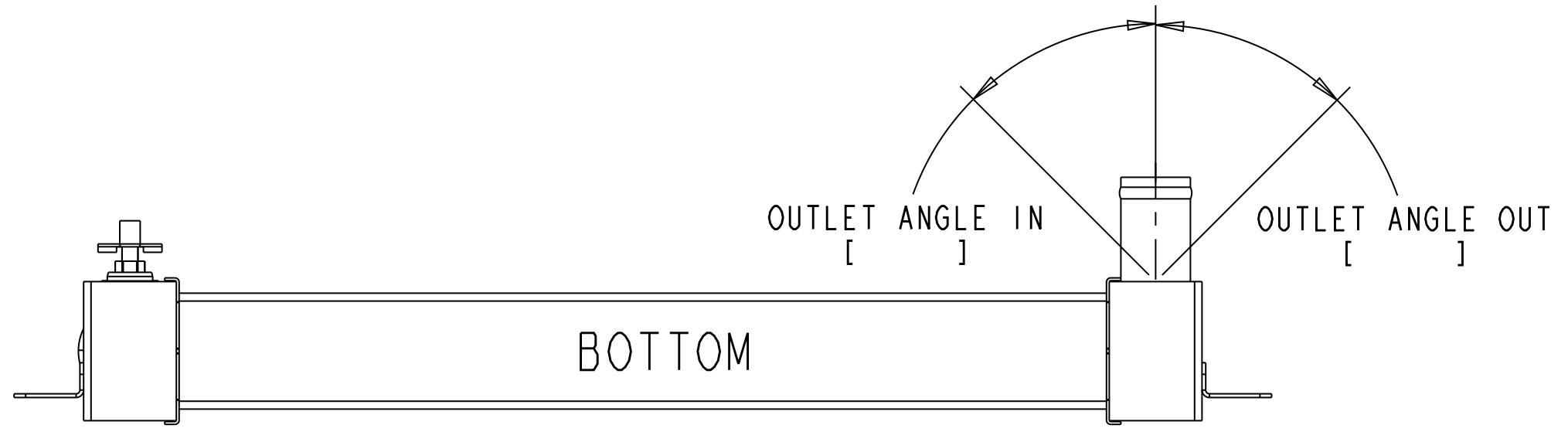
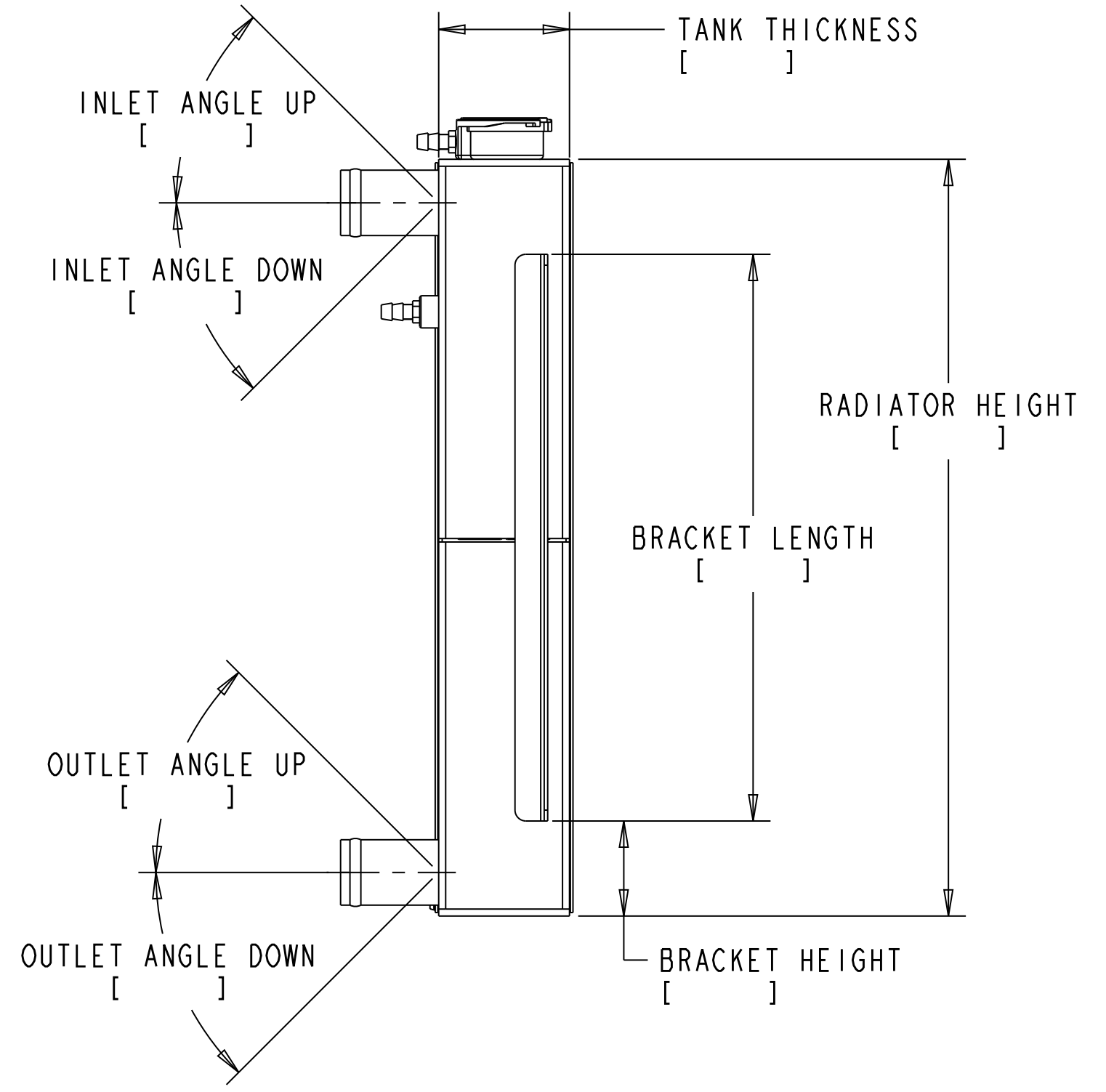
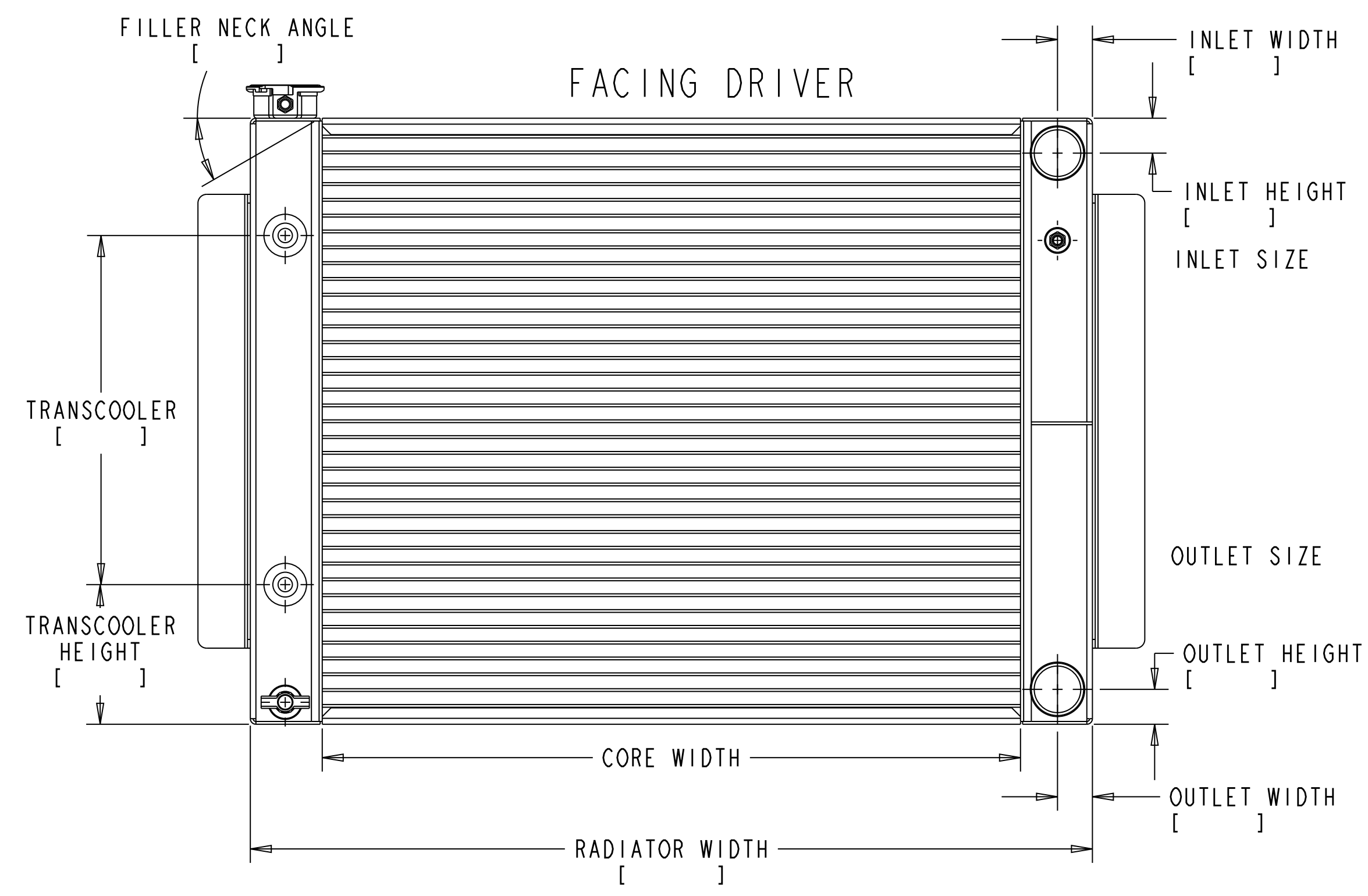




OTHER FABRICATION NOTES IF NEEDED



80004 CUSTOM DOUBLE PASS HIGH PERFORMANCE RADIATOR

CUSTOMER AND CAR INFORMATION

CUSTOMER NAME	VEHICLE MAKE
PHONE #	VEHICLE MODEL
ACCOUNT #	VEHICLE YEAR
INVOICE #	ENGINE SIZE
FUTURE SHIP DATE	
RELEASE EARLY <small>GEN. TOL.</small>	
SEE SALES PRIOR TO RELEASE	
CUSTOMER SIGNATURE	ADDITIONAL PART NUMBERS
SALES	
ENGINEERING	

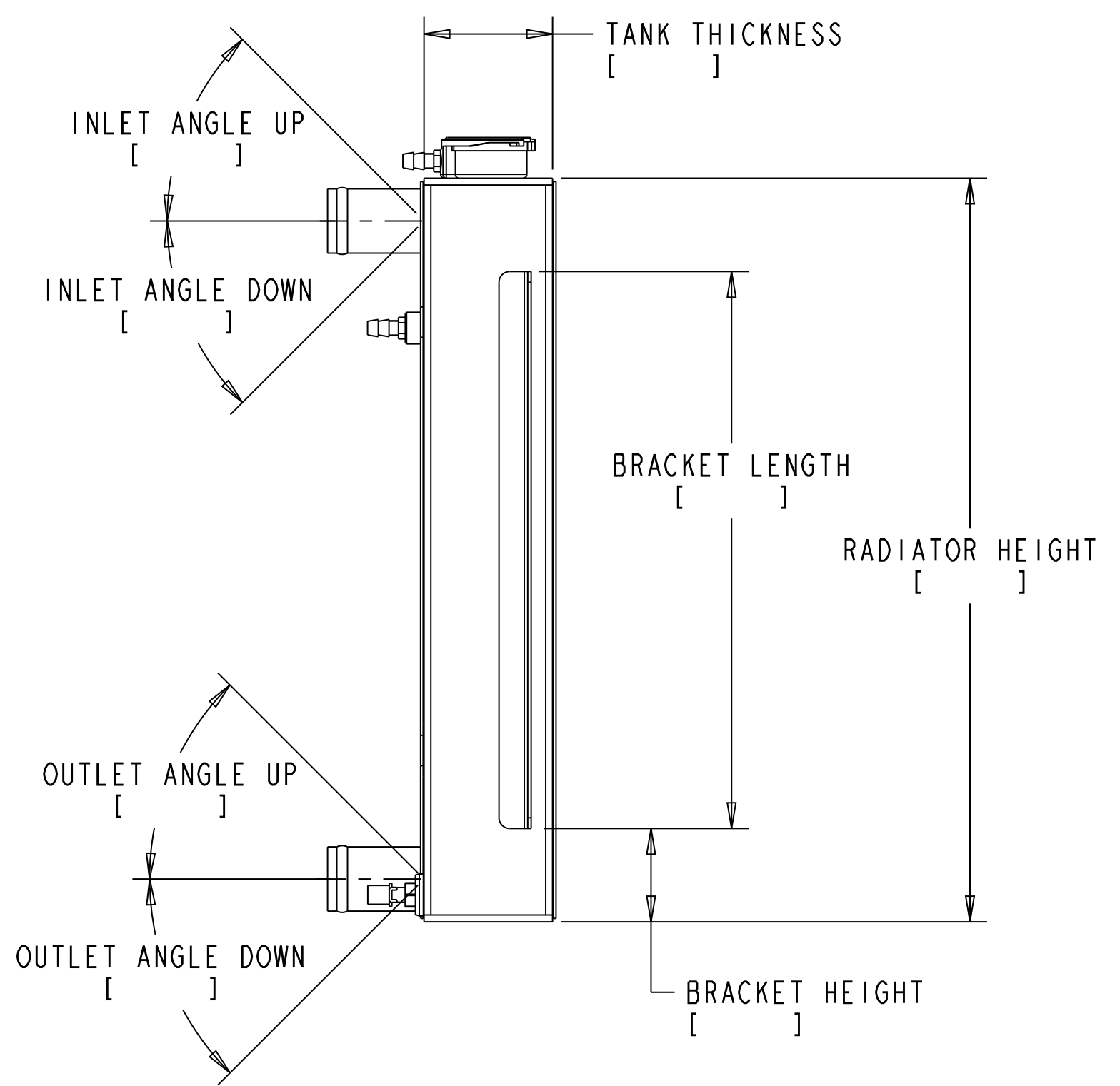
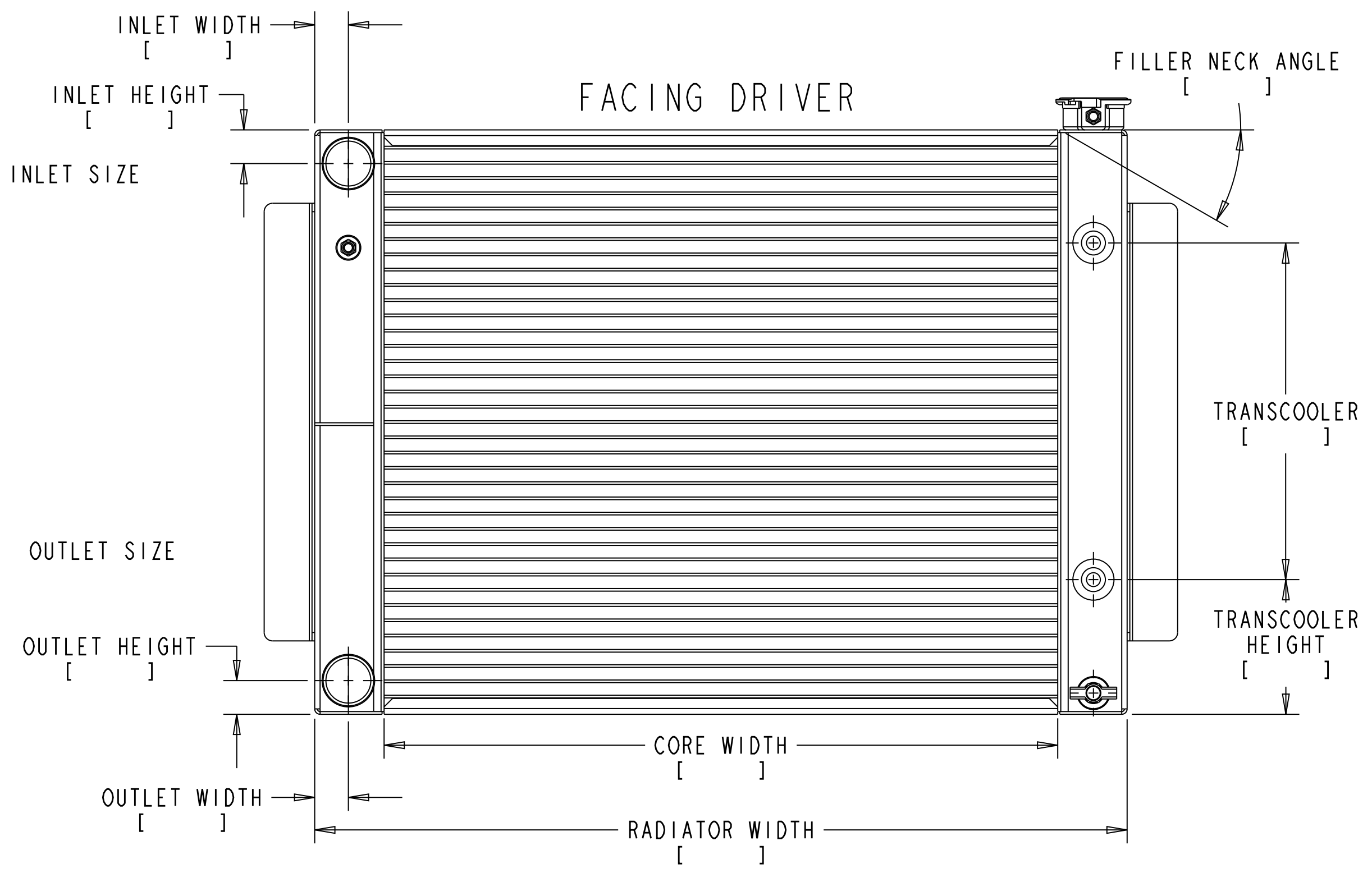
TITLE _____
 MATERIAL _____
 ENG. NUMBER _____
 SIZE _____ SCALE _____ SHEET _____ REV. _____

STANDARD RADIATOR OPTIONS

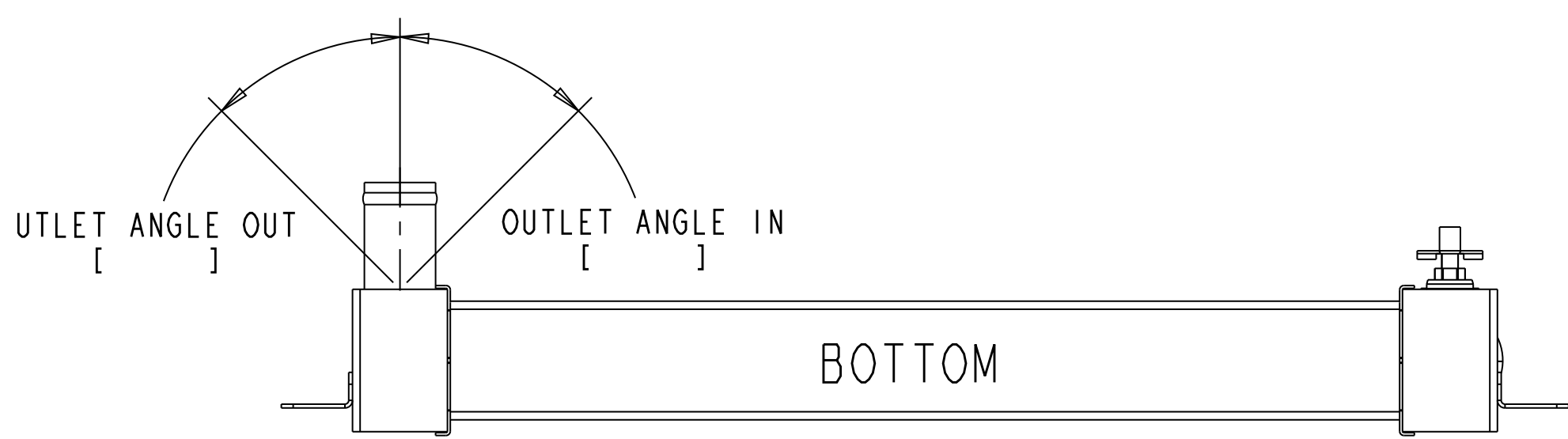
FILLER NECK		DRAIN BUNG	
BRACKETS		EXTRA BUNG	
TRANSCOOLER		STEAM BUNG (LS)	
OIL COOLER		CONDENSER	

RADIATOR TANK CORNER DESIGN

TOP LEFT		TOP RIGHT	
BOTTOM LEFT		BOTTOM RIGHT	



OTHER FABRICATION NOTES IF NEEDED



80004 CUSTOM DOUBLE PASS HIGH PERFORMANCE RADIATOR

CUSTOMER AND CAR INFORMATION

CUSTOMER NAME	VEHICLE MAKE
PHONE #	VEHICLE MODEL
ACCOUNT #	VEHICLE YEAR
INVOICE #	ENGINE SIZE
FUTURE SHIP DATE	
RELEASE EARLY GEN. TOL.	
SEE SALES PRIOR TO RELEASE	
CUSTOMER SIGNATURE	ADDITIONAL PART NUMBERS
SALES	FILE
ENGINEERING	MATERIAL
	ENG. NUMBER
	SIZE SCALE SHEET REV.

DRAWN BY: _____ DATE _____

CHECKED BY: _____ DATE _____

WEIGHT: _____

STANDARD RADIATOR OPTIONS

FILLER NECK		DRAIN BUNG	
BRACKETS		EXTRA BUNG	
TRANSCOOLER		STEAM BUNG (LS)	
OIL COOLER		CONDENSER	

RADIATOR TANK CORNER DESIGN

TOP LEFT		TOP RIGHT	
BOTTOM LEFT		BOTTOM RIGHT	