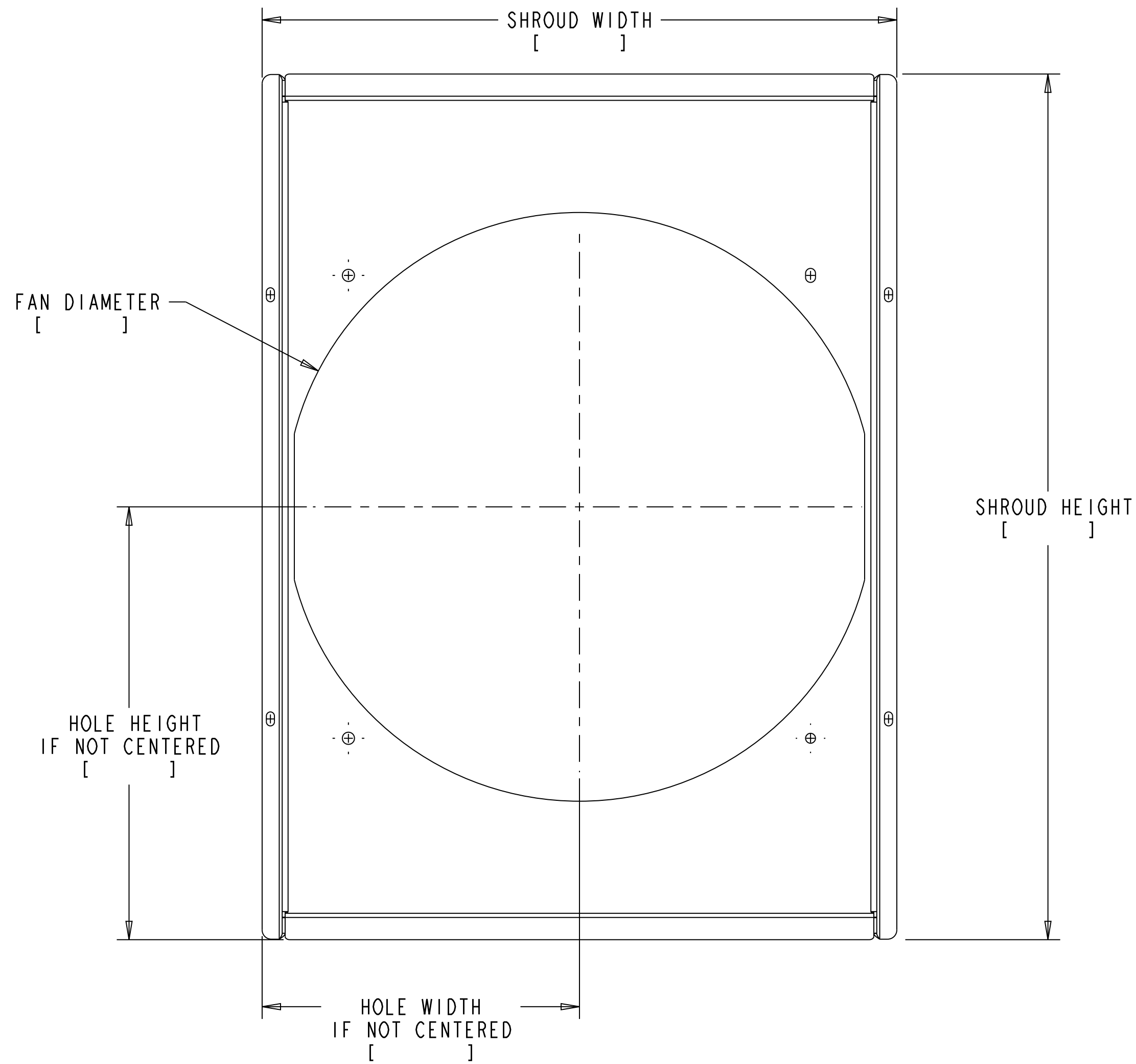


DOWNFLOW SINGLE FAN SHROUD

OTHER FABRICATION NOTES IF NEEDED



SHROUD DEPTH
 .75 STANDARD
 []

FAN DEPTH
 16" FAN 3.19"
 14" FAN 2.87"
 12" FAN 2.48"
 10" FAN 2.04"

45° TAPER STANDARD



FAN SHROUD GUIDELINES:

- 1) ALL SINGLE SHROUDS WILL BE TAPERED UNLESS FAN IS LARGER THAN TAPERED AREA
- 2) STANDARD SHROUD DEPTH .75"
- 3) STANDARD FLANGE WIDTH .50"
- 4) ALL FAN PIG TAILS WILL BE PLACED TOWARDS THE BOTTOM OF THE RADIATOR
- 5) SINGLE 16" FAN MINIMUM RADIATOR WIDTH 16.75"
- 6) SINGLE 14" FAN MINIMUM RADIATOR WIDTH 15.50"
- 7) SINGLE 12" FAN MINIMUM RADIATOR WIDTH 13.50"
- 8) SINGLE 10" FAN MINIMUM RADIATOR WIDTH 11.50"

80110FS CUSTOM SINGLE SHROUD

CUSTOMER AND CAR INFORMATION

CUSTOMER NAME	VEHICLE MAKE
PHONE #	VEHICLE MODEL
ACCOUNT #	VEHICLE YEAR
INVOICE #	ENGINE SIZE

FUTURE SHIP DATE

RELEASE EARLY GEN. TOL.

SEE SALES PRIOR TO RELEASE

CUSTOMER SIGNATURE

SALES

ENGINEERING

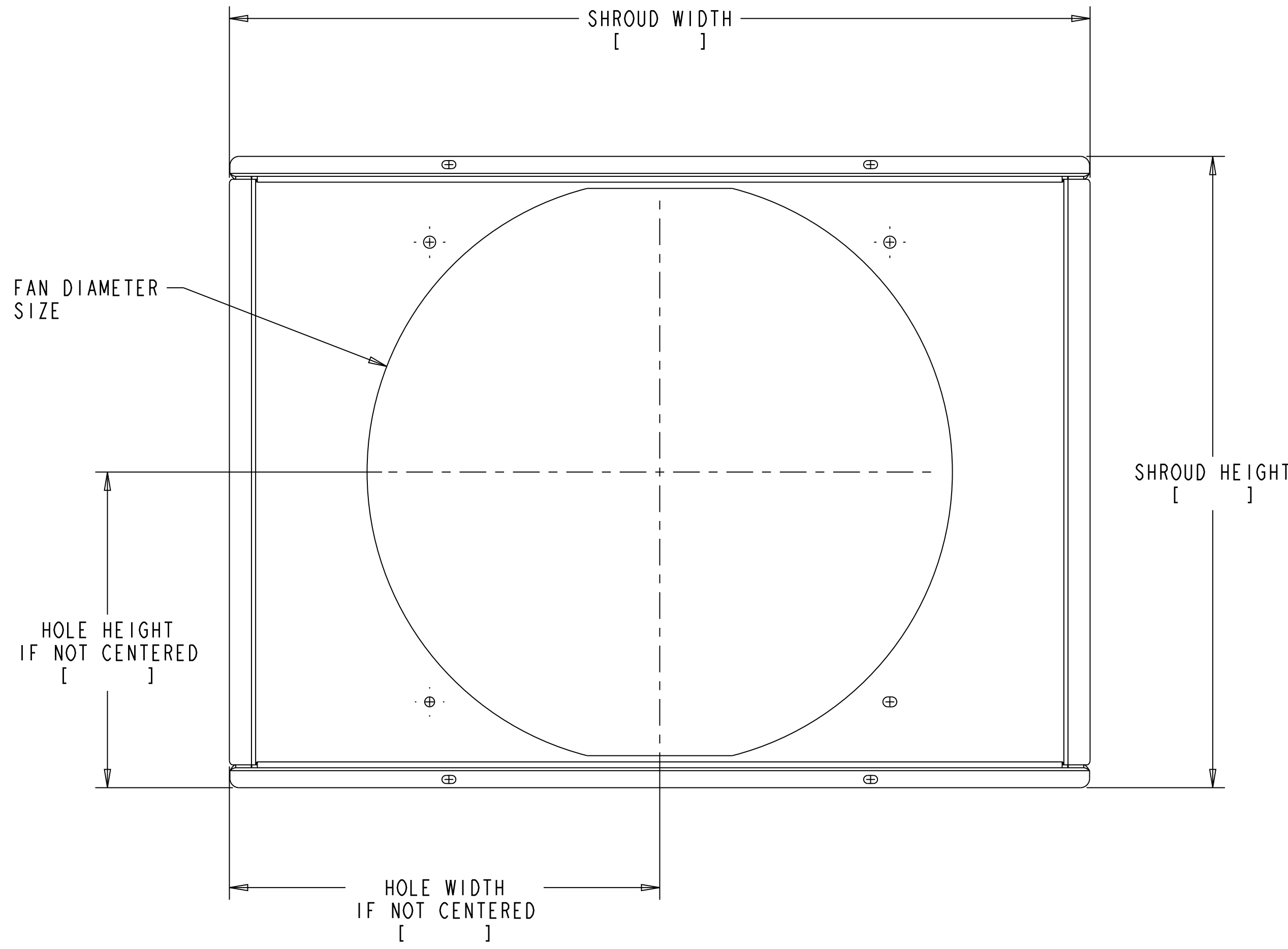
DRAWN BY: _____ DATE _____
 CHECKED BY: _____ DATE _____
 WEIGHT: _____



TITLE	_____
MATERIAL	_____
DWG. NUMBER	_____
SIZE	SCALE
SHEET	REV.

CROSSFLOW SINGLE FAN SHROUD

OTHER FABRICATION NOTES IF NEEDED

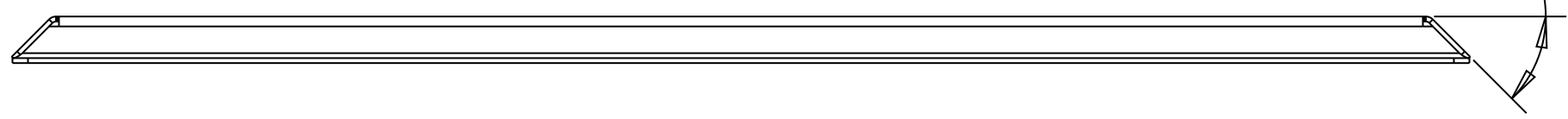


SHROUD DEPTH
 .75 STANDARD
 []


FAN DEPTH
 16" FAN 3.19"
 14" FAN 2.87"
 12" FAN 2.48"
 10" FAN 2.04"

FLANGE WIDTH
 STANDARD .50
 []

45° TAPER STANDARD



- FAN SHROUD GUIDELINES:
- 1) ALL SINGLE SHROUDS WILL BE TAPERED UNLESS FAN IS LARGER THAN TAPERED AREA
 - 2) STANDARD SHROUD DEPTH .75"
 - 3) STANDARD FLANGE WIDTH .50"
 - 4) ALL FAN PIG TAILS WILL BE PLACED TOWARDS THE BOTTOM OF THE RADIATOR
 - 5) SINGLE 16" FAN MINIMUM RADIATOR WIDTH 16.75"
 - 6) SINGLE 14" FAN MINIMUM RADIATOR WIDTH 15.50"
 - 7) SINGLE 12" FAN MINIMUM RADIATOR WIDTH 13.50"
 - 8) SINGLE 10" FAN MINIMUM RADIATOR WIDTH 11.50"

80110FS CUSTOM SINGLE SHROUD			
CUSTOMER AND CAR INFORMATION			
CUSTOMER NAME	VEHICLE MAKE		
PHONE #	VEHICLE MODEL		
ACCOUNT #	VEHICLE YEAR		
INVOICE #	ENGINE SIZE		
FUTURE SHIP DATE			
RELEASE EARLY <small>GEN. TOL.</small>			
SEE SALES PRIOR TO RELEASE			
CUSTOMER SIGNATURE			
SALES	DRAWN BY:	DATE	TITLE
ENGINEERING	CHECKED BY:	DATE	MATERIAL
	WEIGHT:		ENG. NUMBER
			SIZE SCALE SHEET REV.