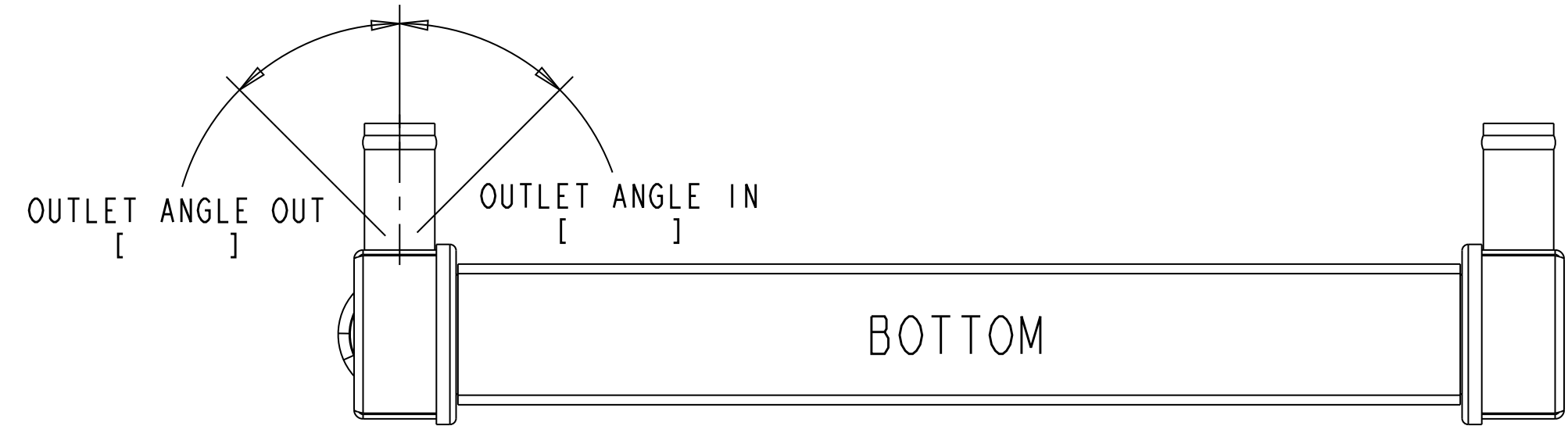
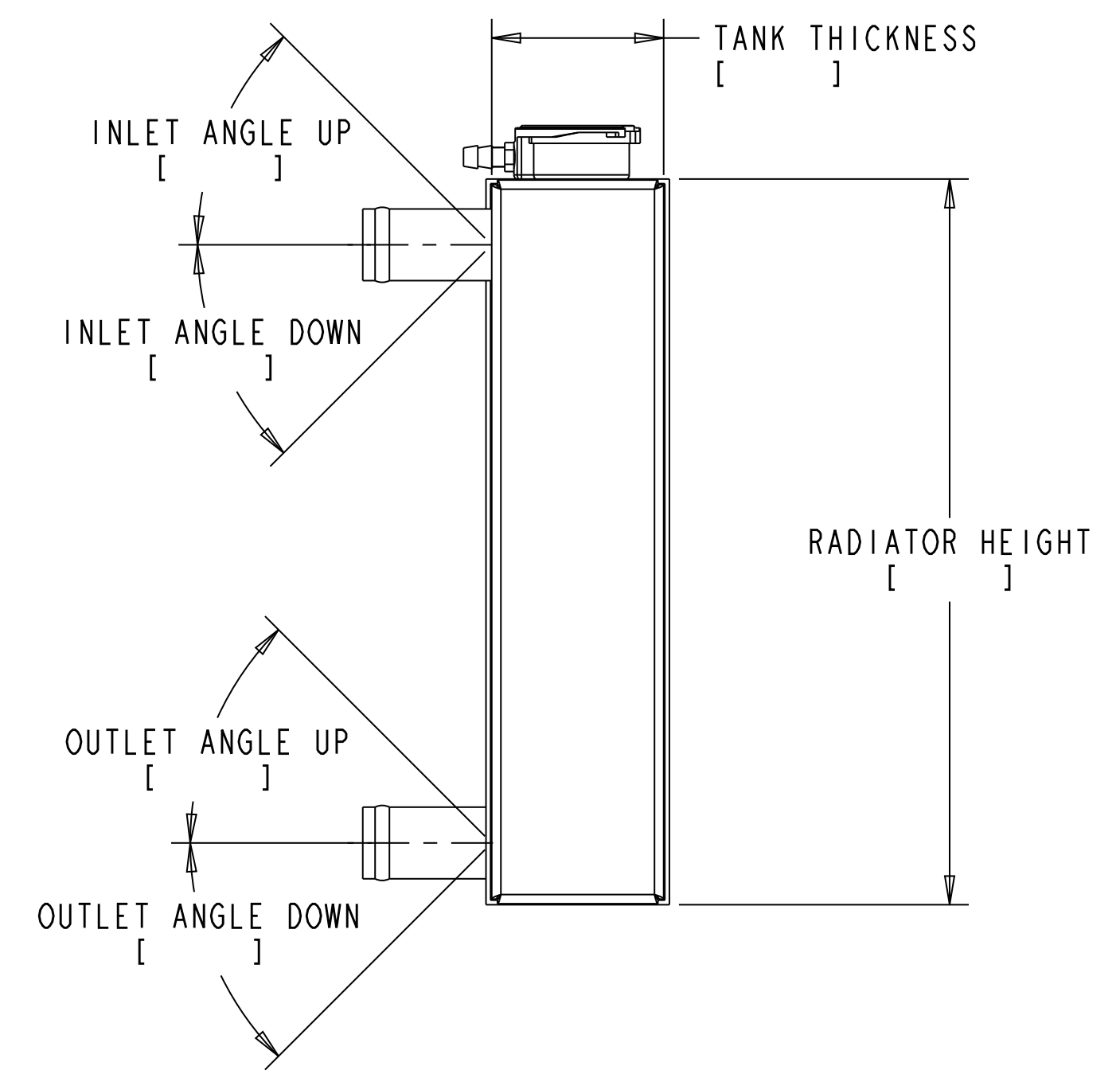
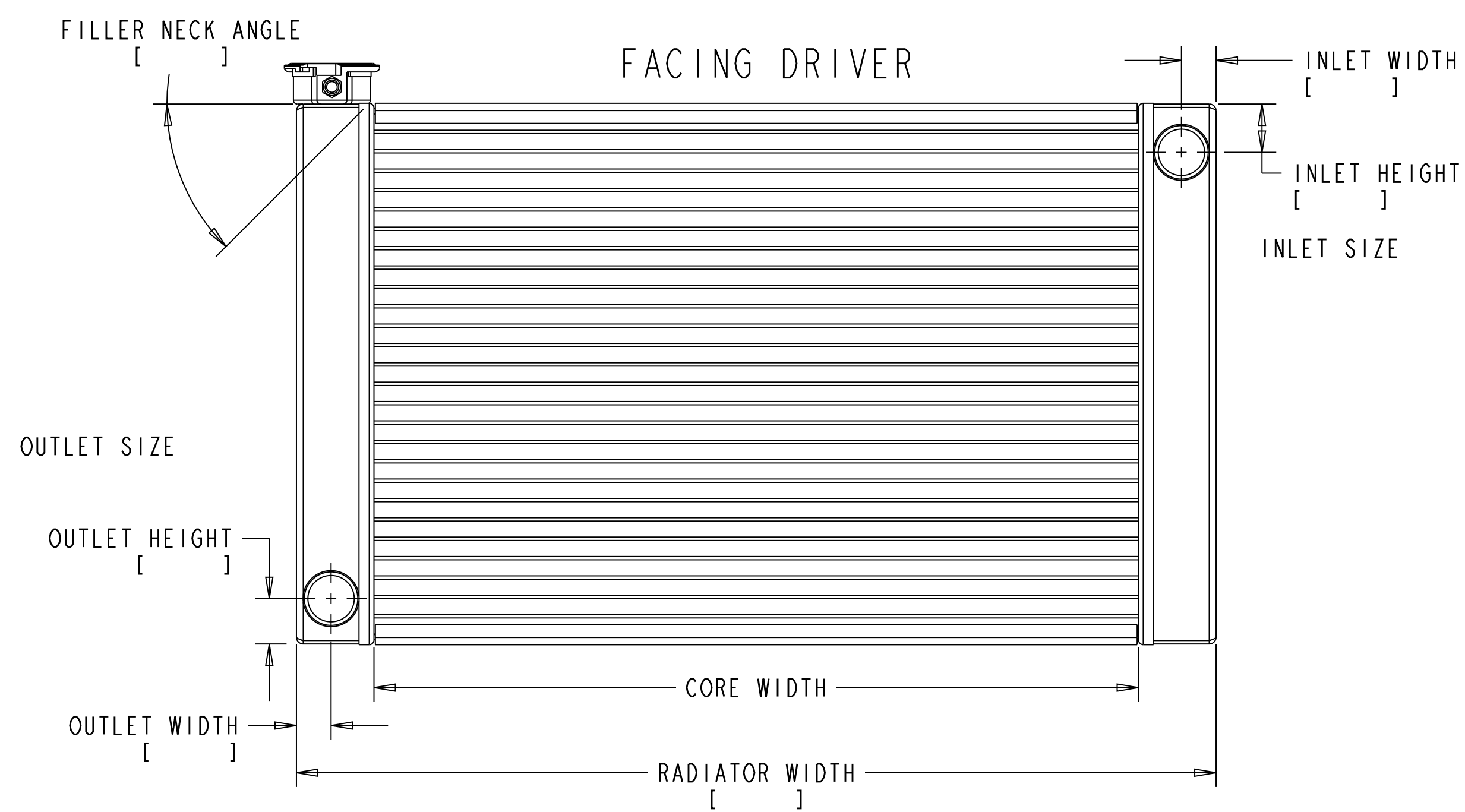


OTHER FABRICATION NOTES IF NEEDED



80011 CUSTOM SINGLE PASS HIGH DRAG RADIATOR

CUSTOMER AND CAR INFORMATION

CUSTOMER NAME	VEHICLE MAKE
PHONE #	VEHICLE MODEL
ACCOUNT #	VEHICLE YEAR
INVOICE #	ENGINE SIZE
FUTURE SHIP DATE	
RELEASE EARLY <small>GEN. TOL.</small>	
SEE SALES PRIOR TO RELEASE	
CUSTOMER SIGNATURE	ADDITIONAL PART NUMBERS
SALES	FILE
ENGINEERING	MATERIAL
	ENG. NUMBER
	SIZE SCALE SHEET REV.

DRAWN BY: _____ DATE _____

CHECKED BY: _____ DATE _____

WEIGHT: _____

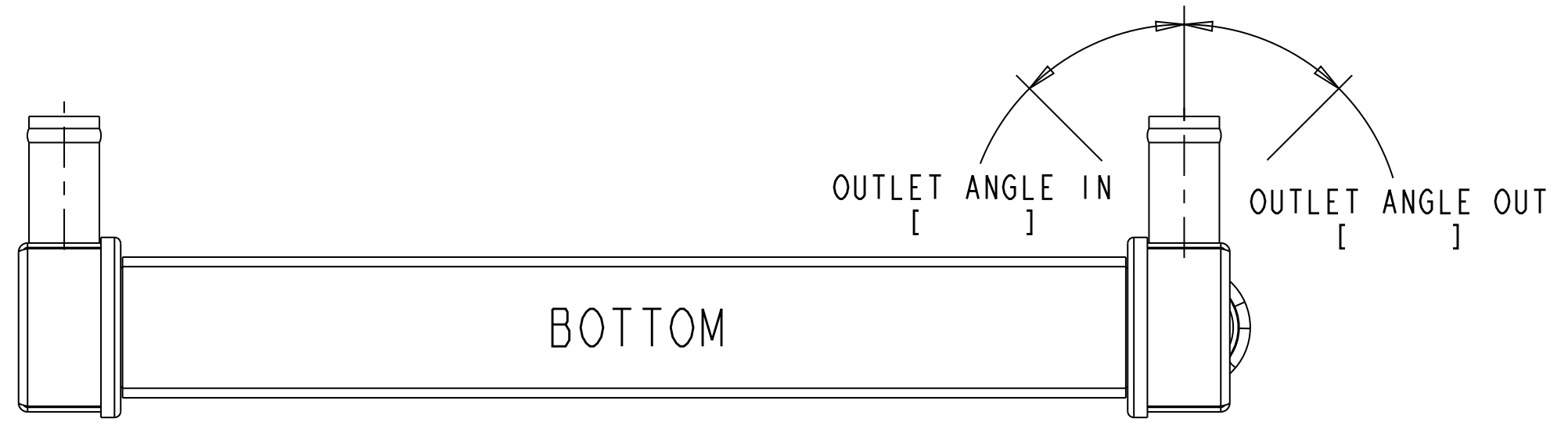
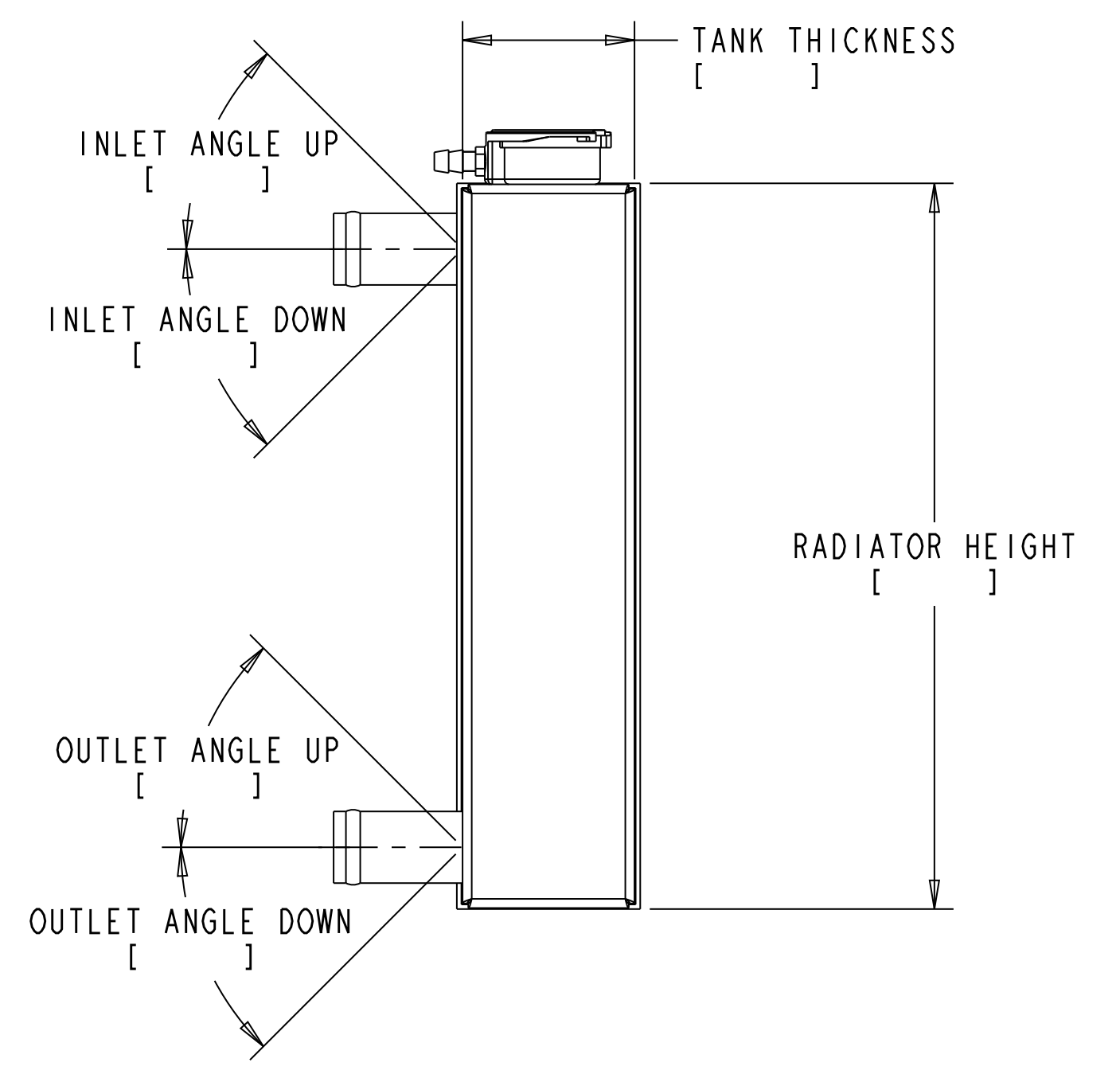
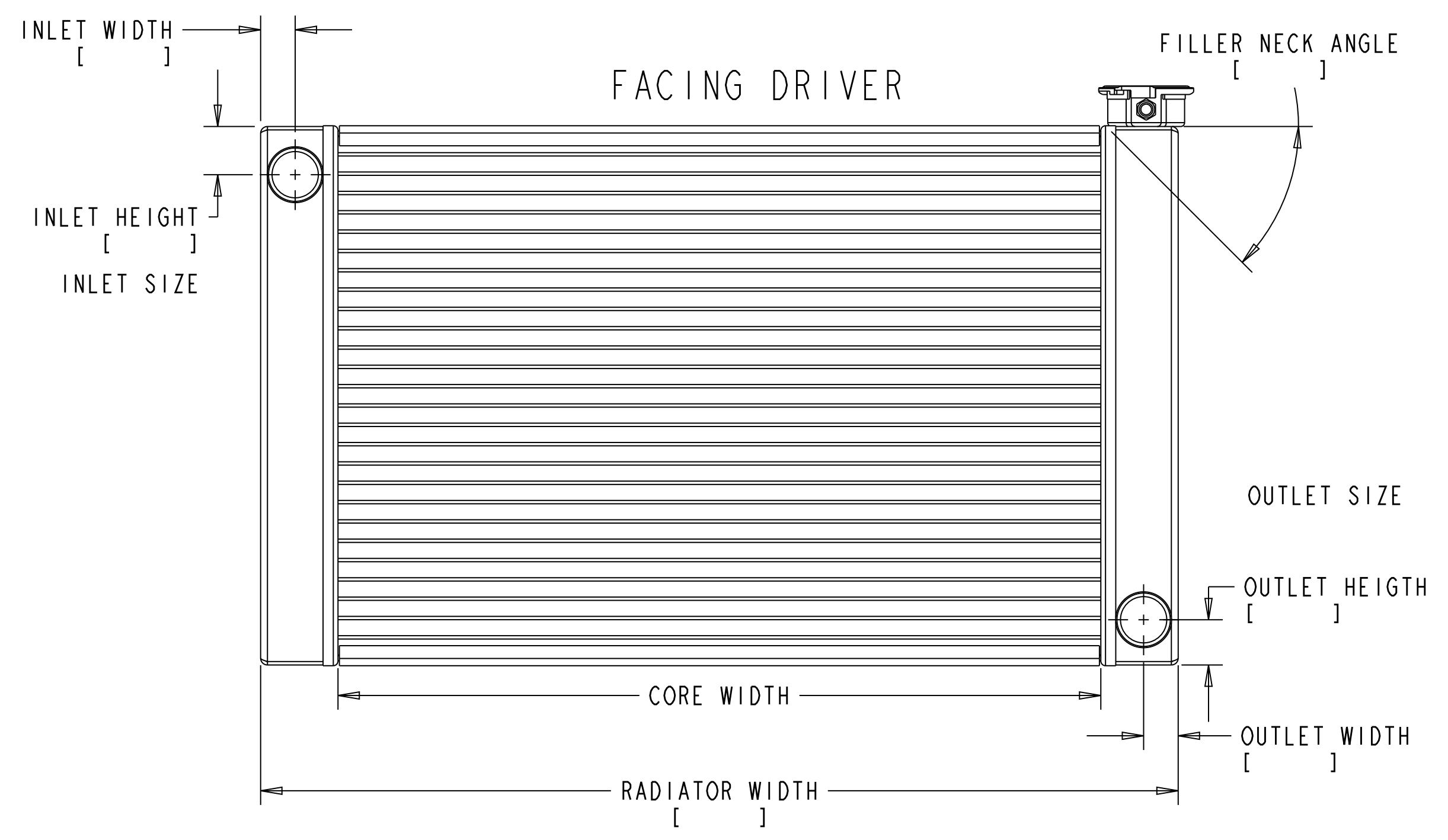
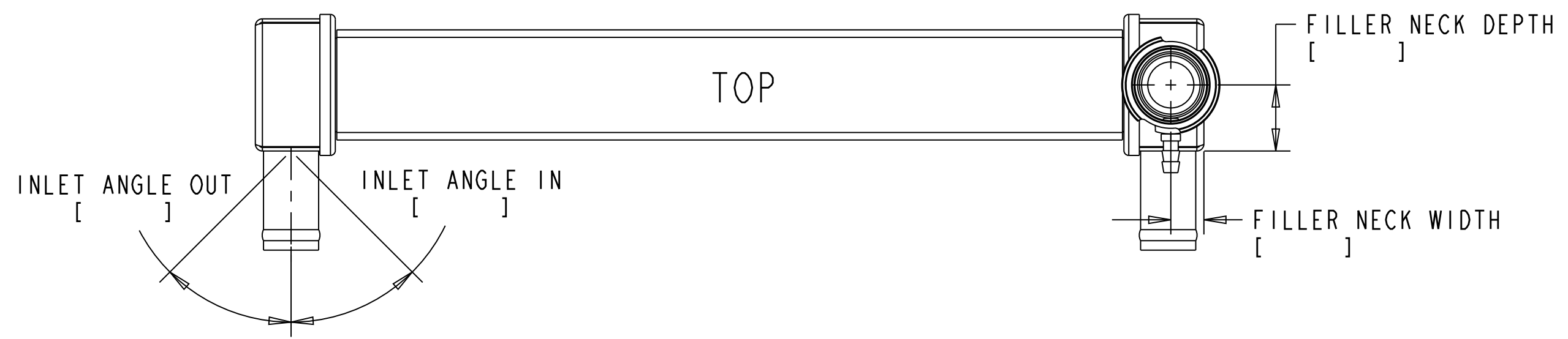
STANDARD RADIATOR OPTIONS

FILLER NECK BRACKETS		DRAIN BUNG	
FEET MOUNT		EXTRA BUNG	
		MOUNTING BUNGS	

RADIATOR TANK CORNER DESIGN

TOP LEFT		TOP RIGHT	
BOTTOM LEFT		BOTTOM RIGHT	

OTHER FABRICATION NOTES IF NEEDED



80011 CUSTOM SINGLE PASS DRAG RADIATOR

CUSTOMER AND CAR INFORMATION

CUSTOMER NAME	VEHICLE MAKE
PHONE #	VEHICLE MODEL
ACCOUNT #	VEHICLE YEAR
INVOICE #	ENGINE SIZE
FUTURE SHIP DATE	
RELEASE EARLY <small>GEN. TOL.</small>	
SEE SALES PRIOR TO RELEASE	
CUSTOMER SIGNATURE	ADDITIONAL PART NUMBERS
SALES	
ENGINEERING	

TITLE: _____
 MATERIAL: _____
 DWG. NUMBER: _____
 SIZE: _____ SCALE: _____ SHEET: _____ REV.: _____

DRAWN BY: _____ DATE: _____
 CHECKED BY: _____ DATE: _____
 WEIGHT: _____

STANDARD RADIATOR OPTIONS

FILLER NECK		DRAIN BUNG	
BRACKETS		EXTRA BUNG	
FEET MOUNT		MOUNTING BUNGS	

RADIATOR TANK CORNER DESIGN

TOP LEFT		TOP RIGHT	
BOTTOM LEFT		BOTTOM RIGHT	