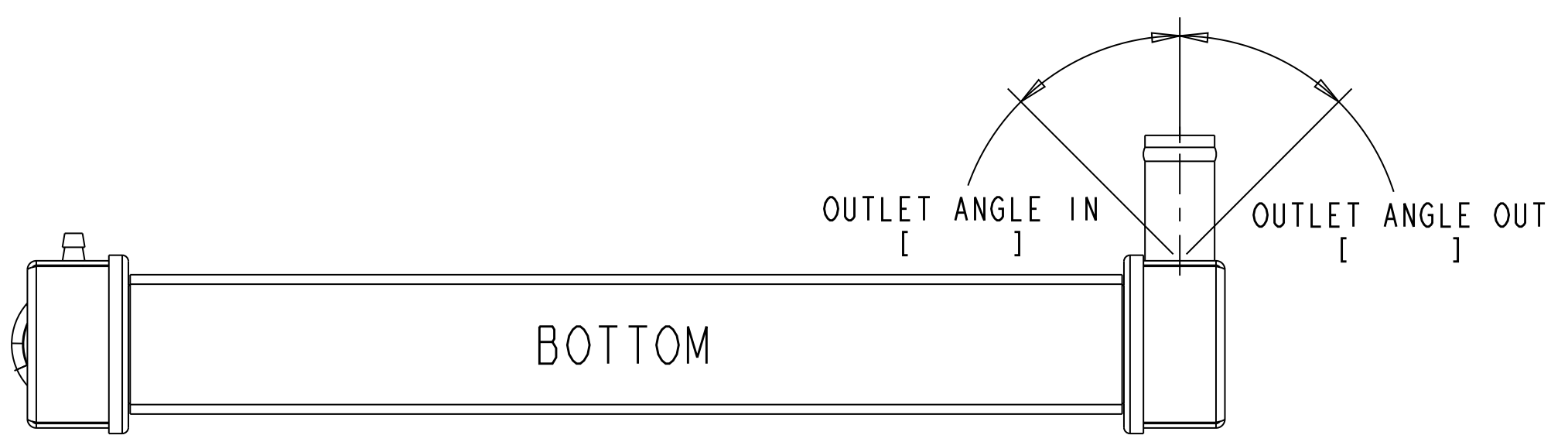
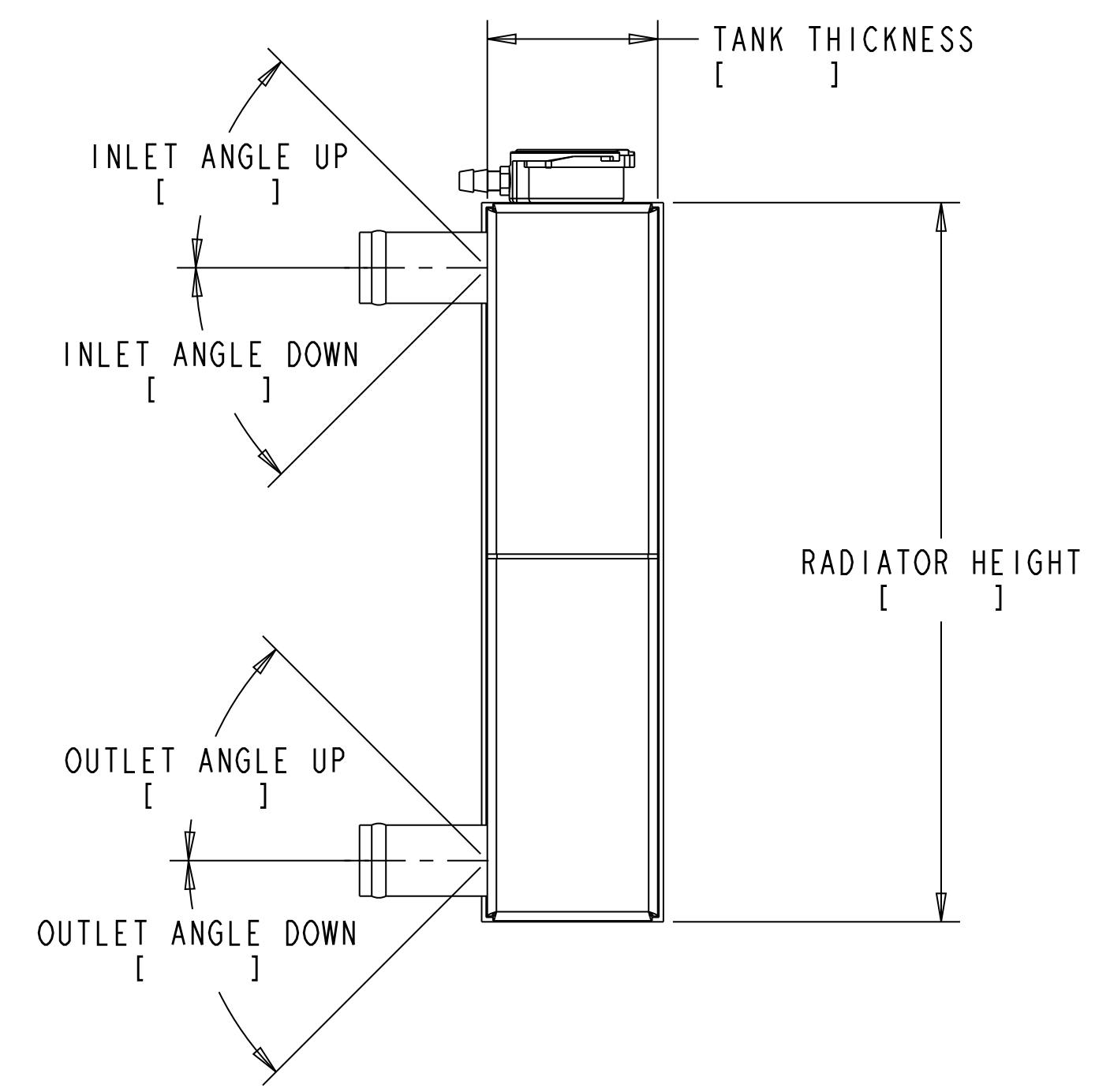
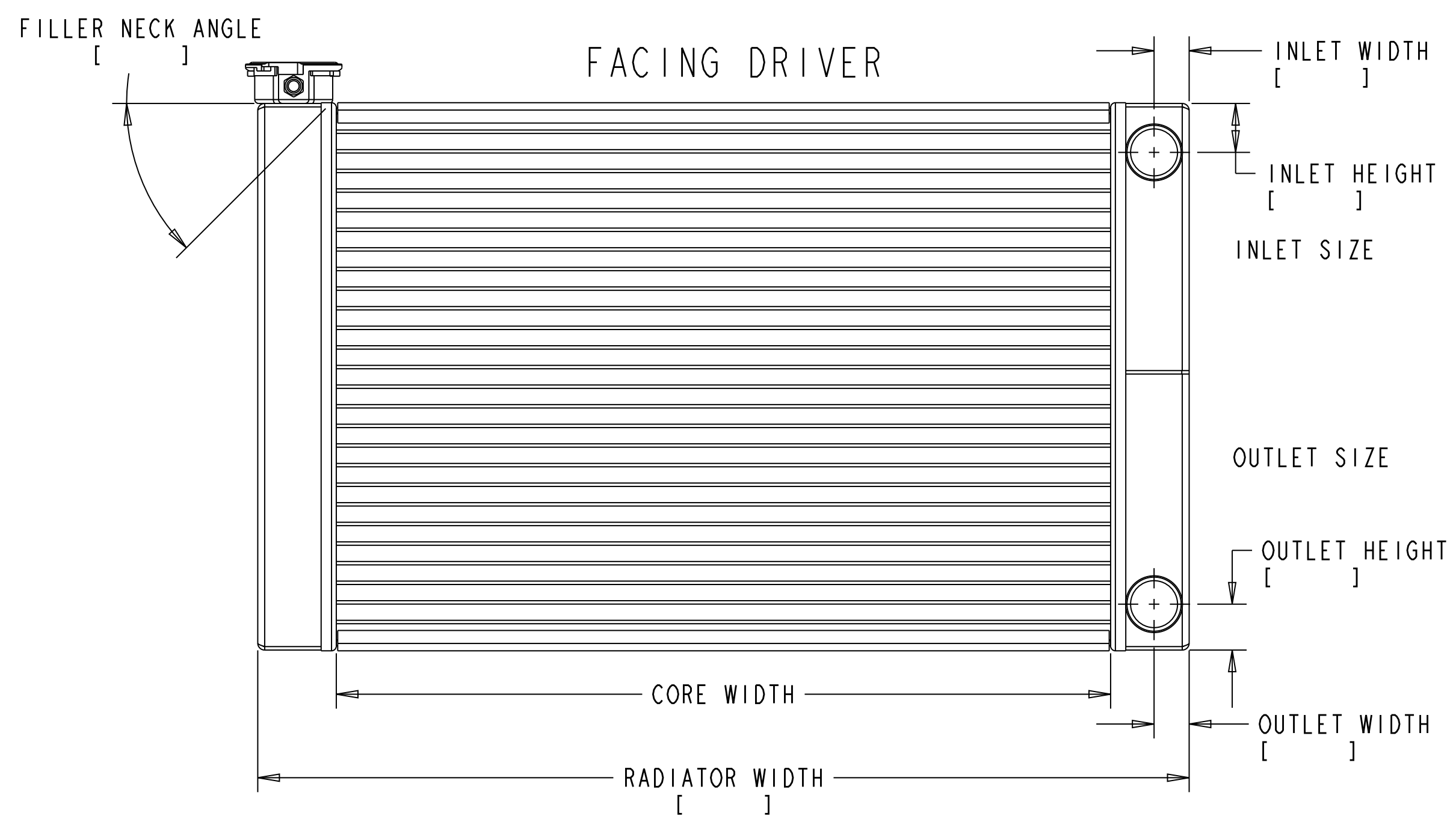


OTHER FABRICATION NOTES IF NEEDED



80010 CUSTOM DOUBLE PASS HIGH DRAG RADIATOR

CUSTOMER AND CAR INFORMATION

CUSTOMER NAME	VEHICLE MAKE
PHONE #	VEHICLE MODEL
ACCOUNT #	VEHICLE YEAR
INVOICE #	ENGINE SIZE
FUTURE SHIP DATE	
RELEASE EARLY <small>GEN. TOL.</small>	
SEE SALES PRIOR TO RELEASE	
CUSTOMER SIGNATURE	ADDITIONAL PART NUMBERS
SALES	TITLE
ENGINEERING	MATERIAL
	ENG. NUMBER
	SIZE SCALE SHEET REV.

DRAWN BY: _____ DATE _____

CHECKED BY: _____ DATE _____

WEIGHT: _____

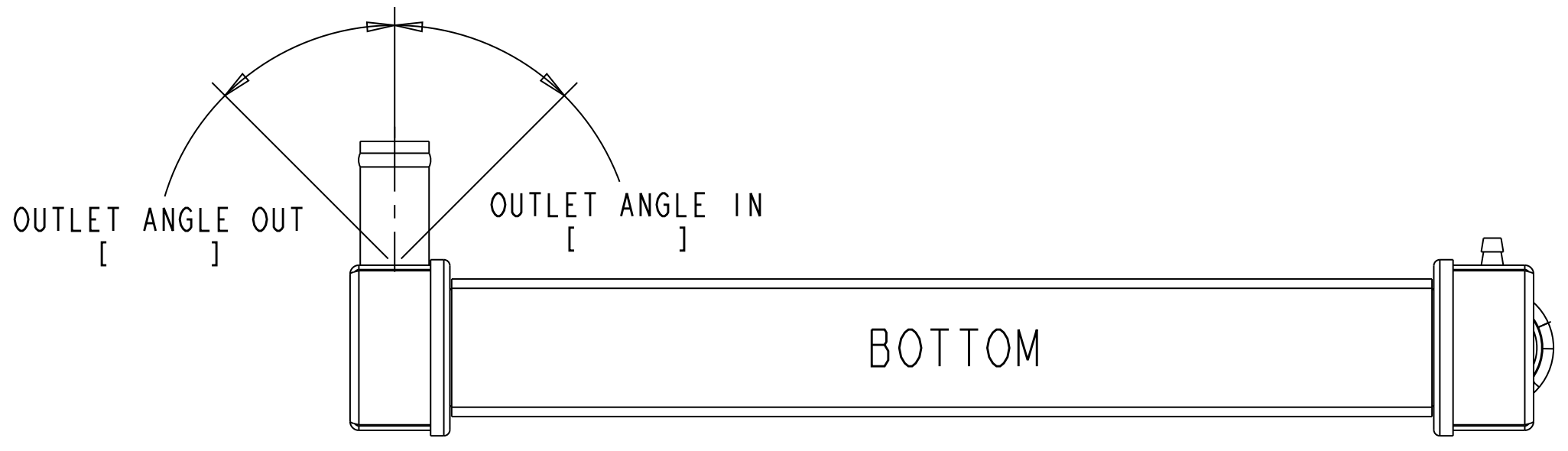
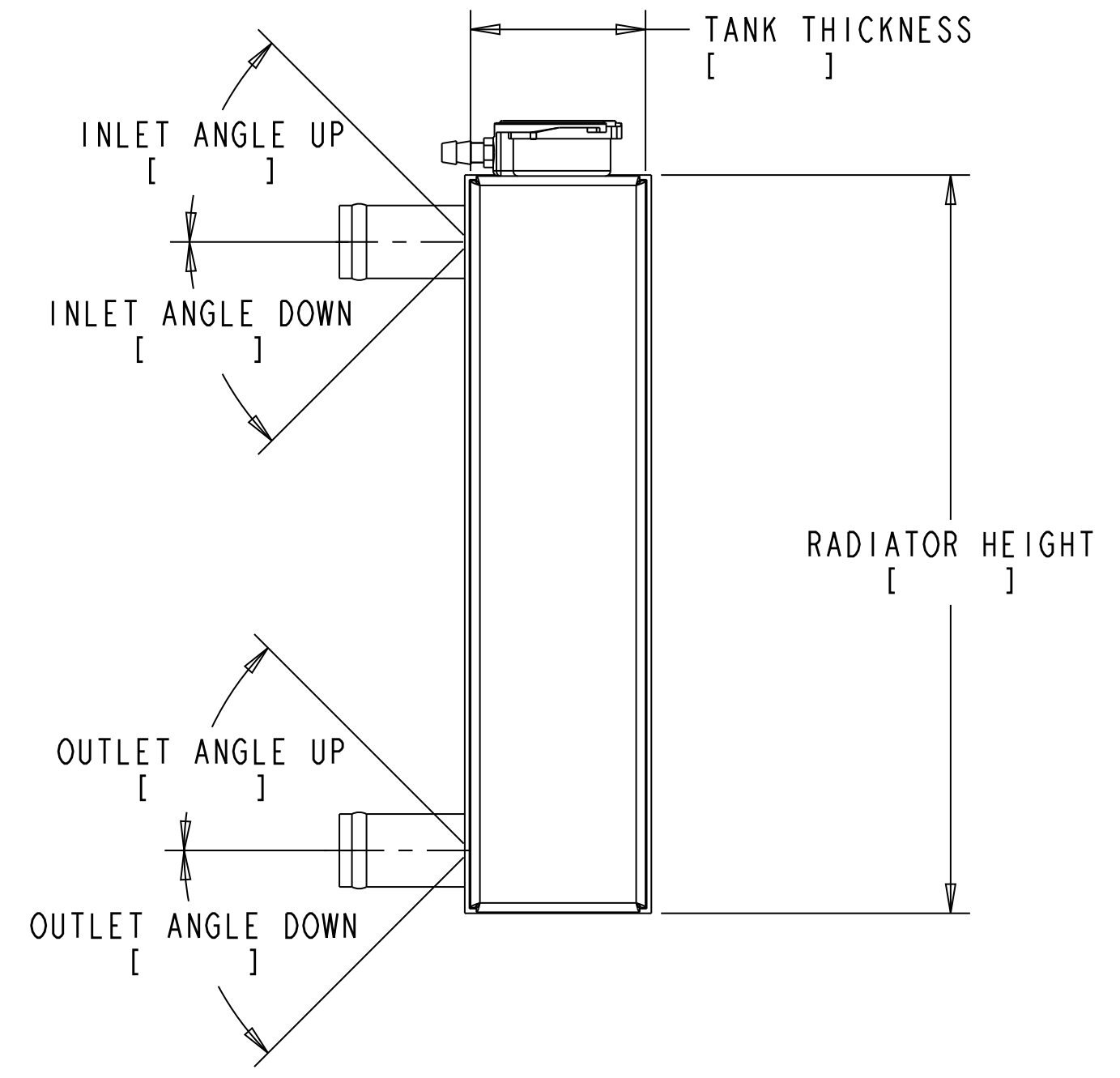
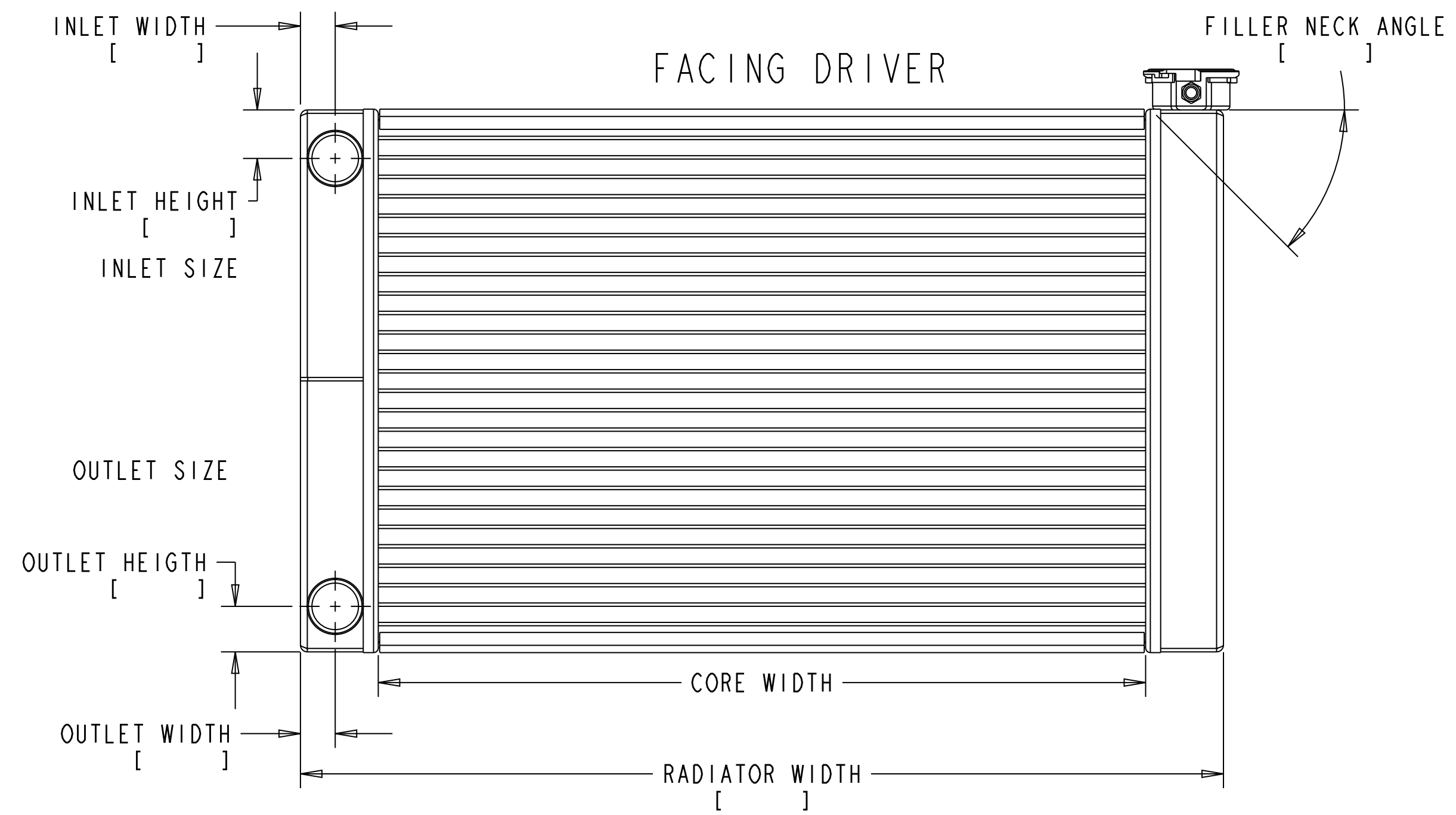
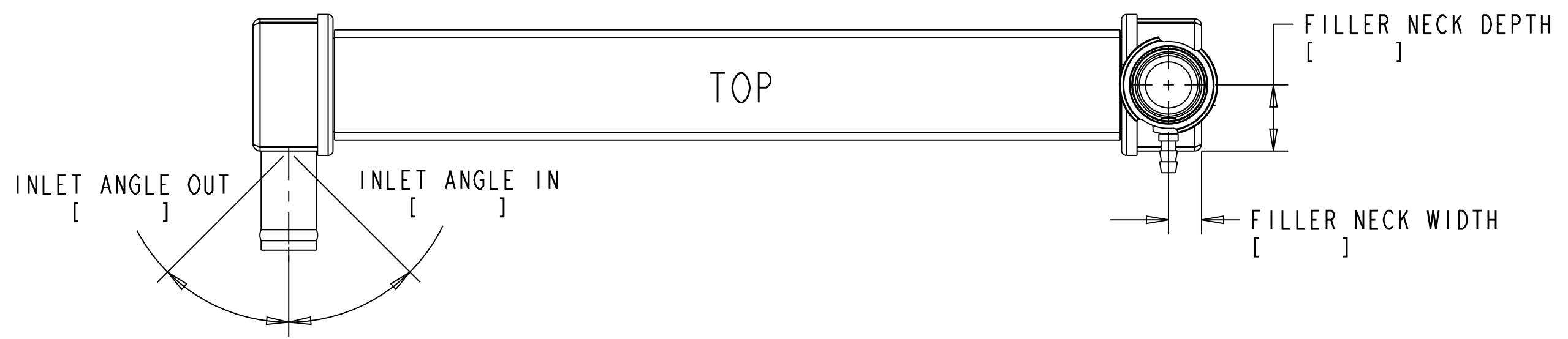
STANDARD RADIATOR OPTIONS

FILLER NECK		DRAIN BUNG	
BRACKETS		EXTRA BUNG	
FEET MOUNT		MOUNTING BUNGS	

RADIATOR TANK CORNER DESIGN

TOP LEFT		TOP RIGHT	
BOTTOM LEFT		BOTTOM RIGHT	

OTHER FABRICATION NOTES IF NEEDED



80010 CUSTOM DOUBLE PASS DRAG RADIATOR

CUSTOMER AND CAR INFORMATION

CUSTOMER NAME	VEHICLE MAKE
PHONE #	VEHICLE MODEL
ACCOUNT #	VEHICLE YEAR
INVOICE #	ENGINE SIZE
FUTURE SHIP DATE	
RELEASE EARLY GEN. TOL.	
SEE SALES PRIOR TO RELEASE	
CUSTOMER SIGNATURE	ADDITIONAL PART NUMBERS
SALES	TITLE
ENGINEERING	MATERIAL
	ENG. NUMBER
	SIZE SCALE
	SHEET
	REV.

DRAWN BY: [] DATE []
 CHECKED BY: [] DATE []
 WEIGHT: []

STANDARD RADIATOR OPTIONS

FILLER NECK		DRAIN BUNG	
BRACKETS		EXTRA BUNG	
FEET MOUNT		MOUNTING BUNGS	

RADIATOR TANK CORNER DESIGN

TOP LEFT		TOP RIGHT	
BOTTOM LEFT		BOTTOM RIGHT	