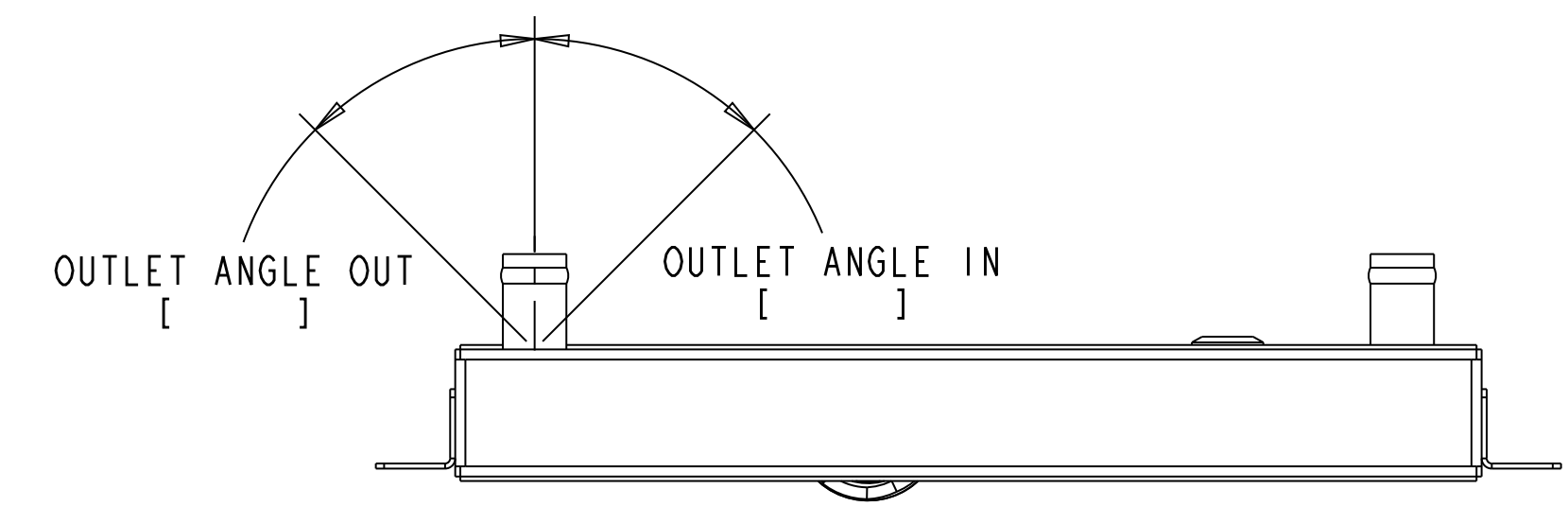
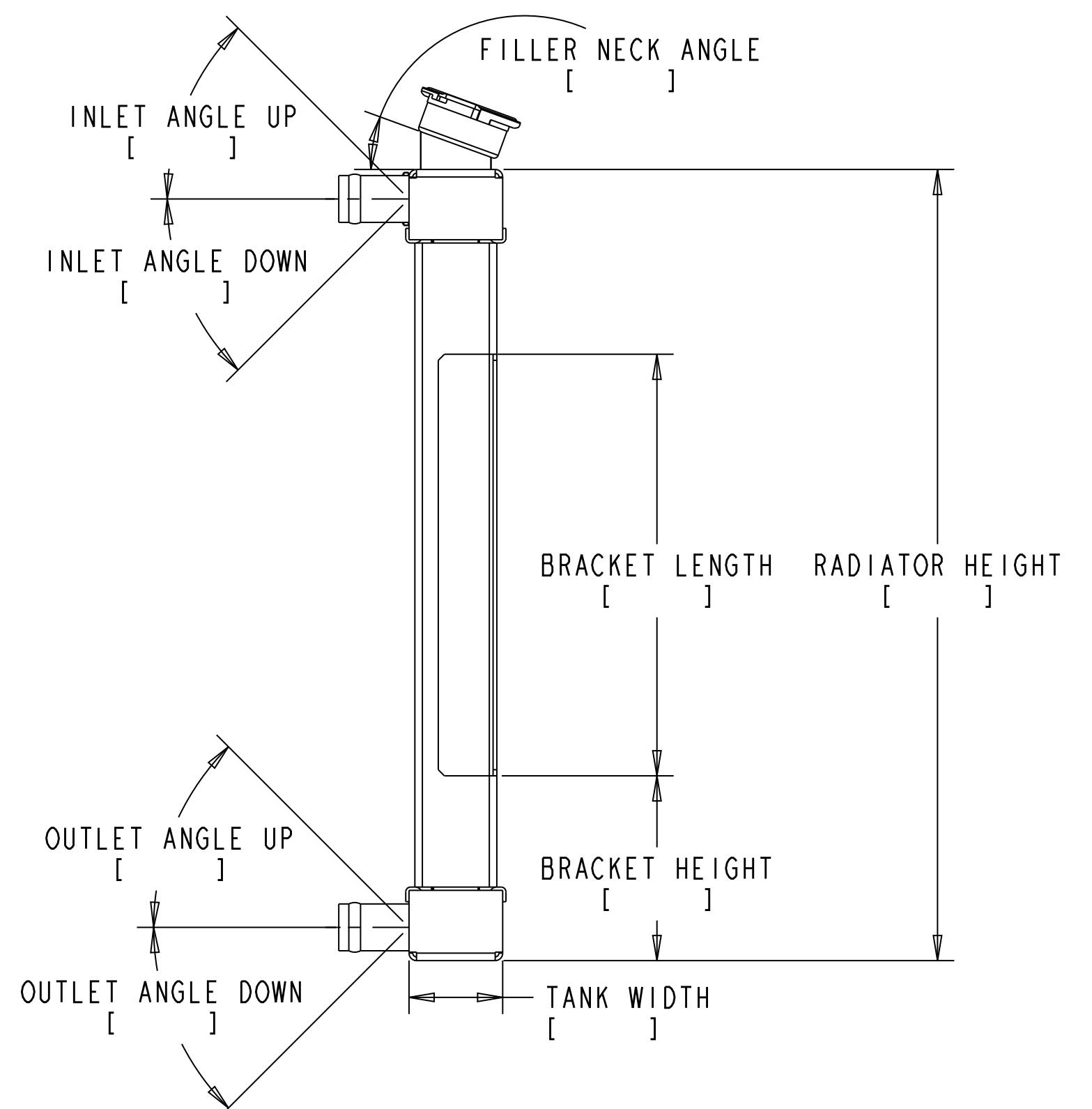
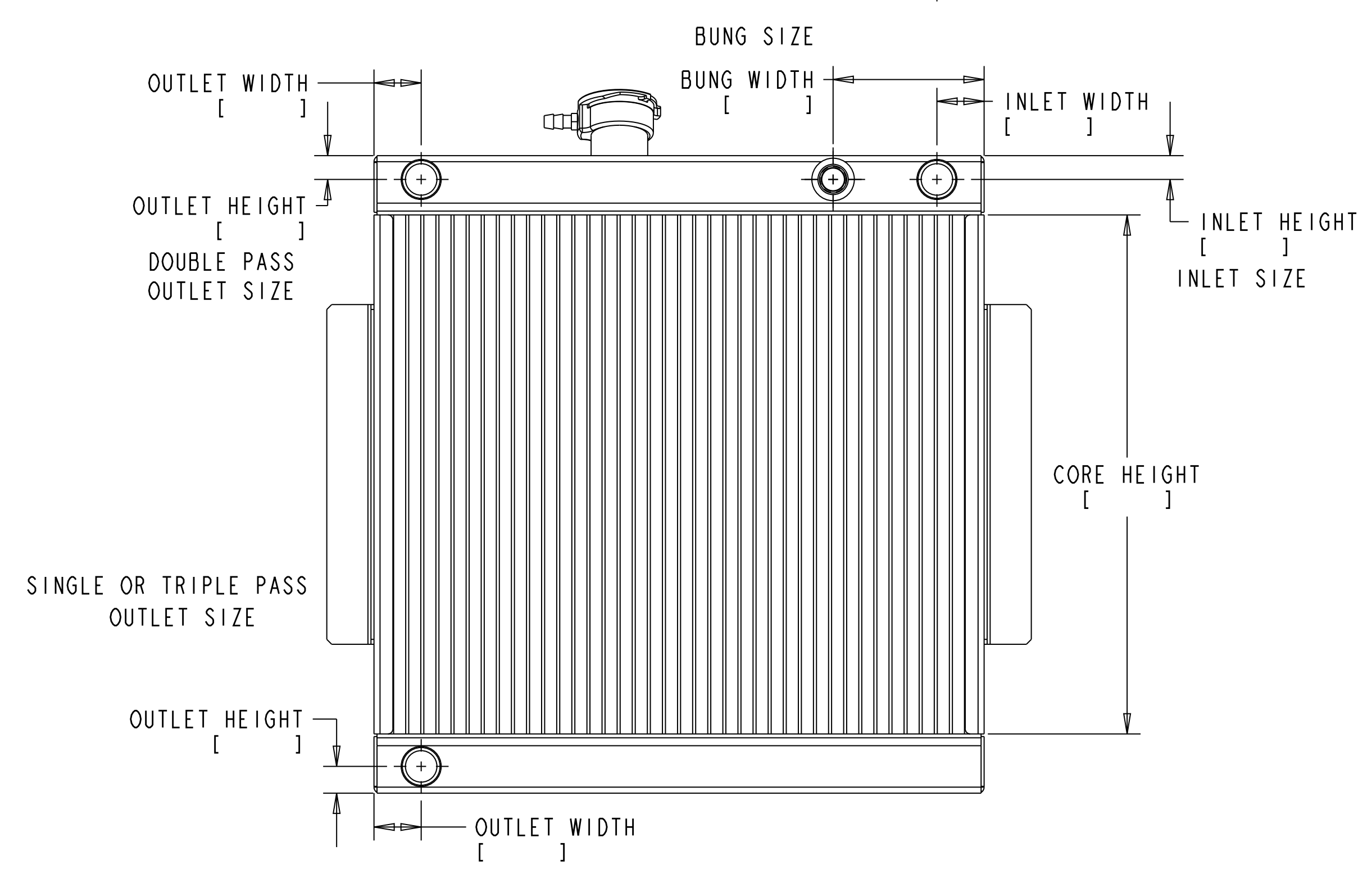


OTHER FABRICATION NOTES IF NEEDED



80009 CUSTOM MINI SPRINT RADIATOR

CUSTOMER AND CAR INFORMATION

CUSTOMER NAME	VEHICLE MAKE
PHONE #	VEHICLE MODEL
ACCOUNT #	VEHICLE YEAR
INVOICE #	ENGINE SIZE
FUTURE SHIP DATE	
RELEASE EARLY <small>GEN. TOL.</small>	
SEE SALES PRIOR TO RELEASE	
CUSTOMER SIGNATURE	ADDITIONAL PART NUMBERS
SALES	TITLE
ENGINEERING	MATERIAL
	ENG. NUMBER
	SIZE SCALE
	SHEET
	REV.

DRAWN BY: _____ DATE: _____
 CHECKED BY: _____ DATE: _____
 WEIGHT: _____

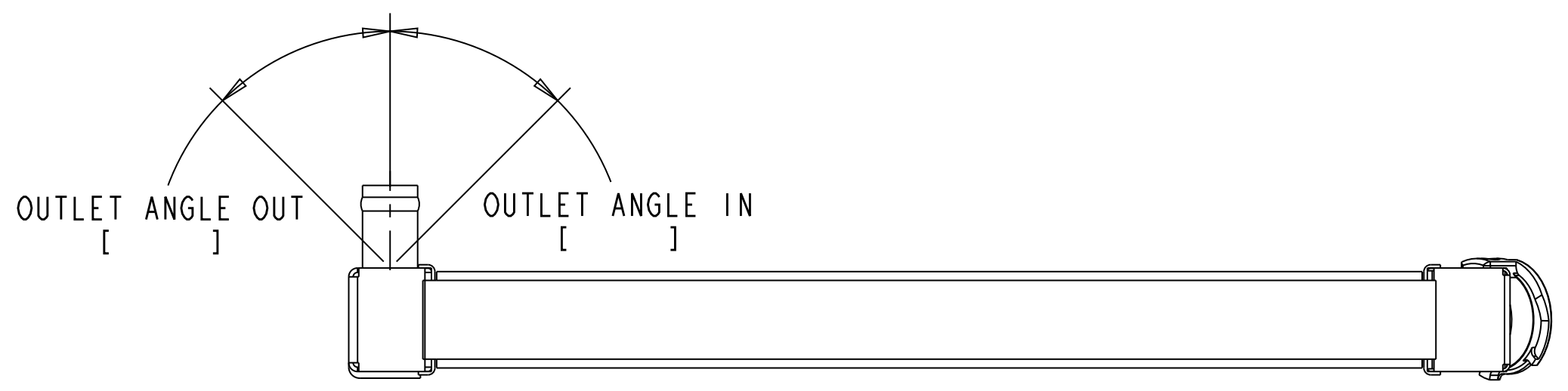
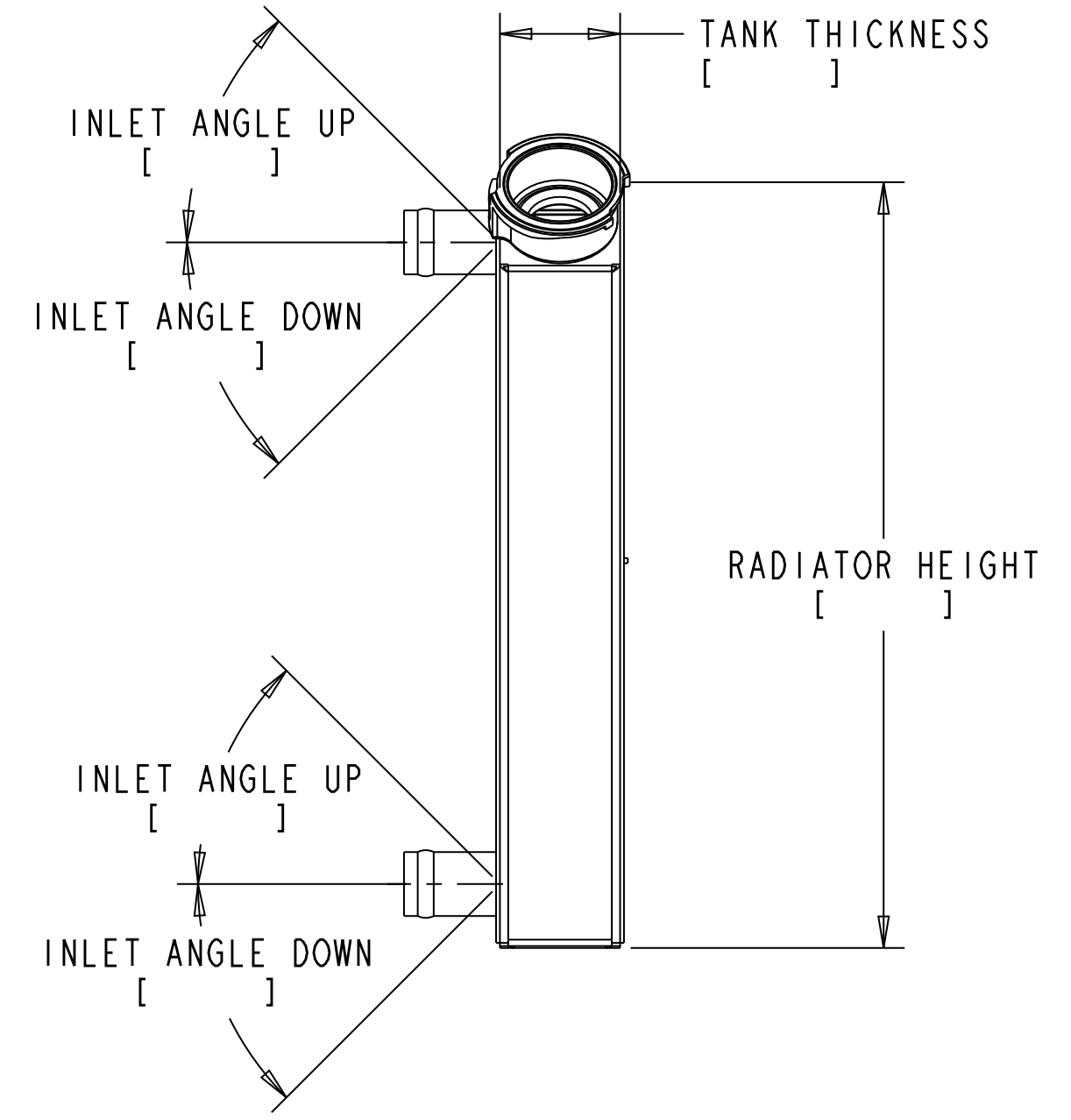
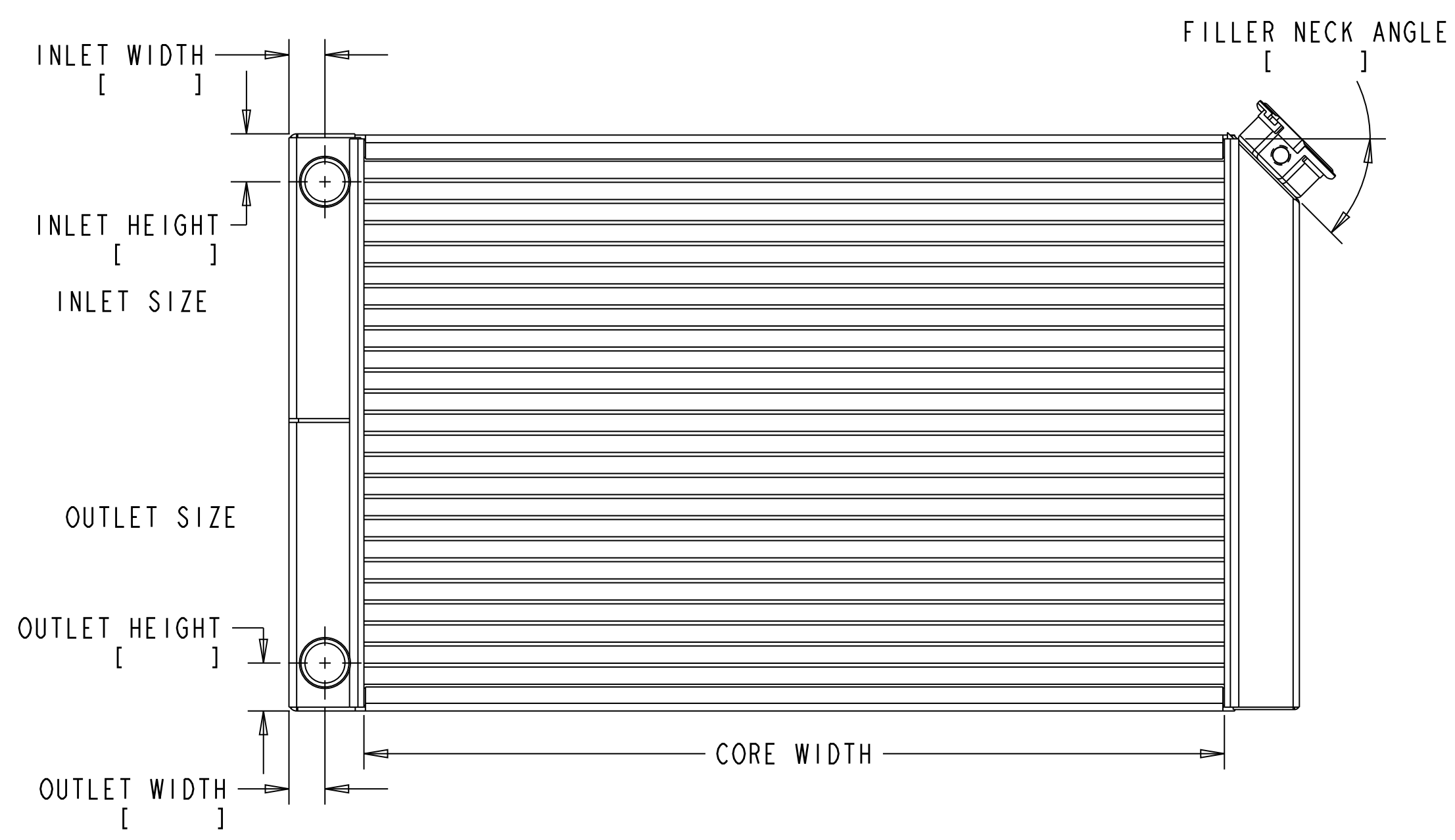
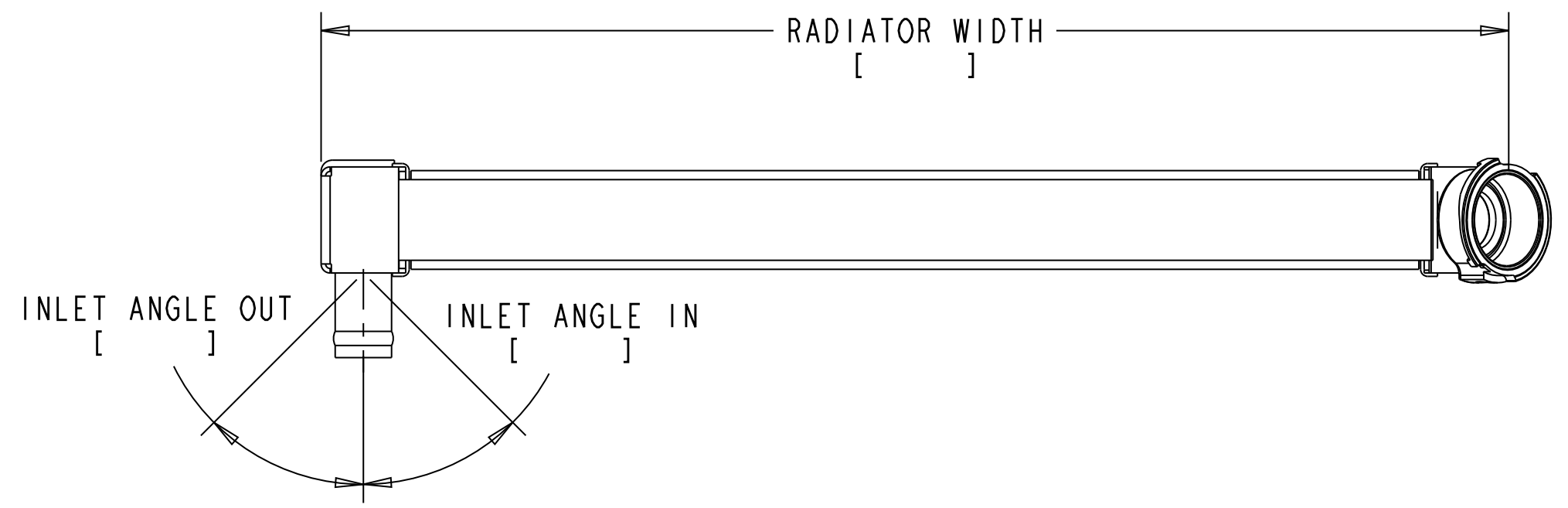
STANDARD RADIATOR OPTIONS

FILLER NECK		DRAIN BUNG	
BRACKETS		EXTRA BUNG	
NUMBER OF PASSES		ELECTRIC FAN	

RADIATOR TANK CORNER DESIGN

TOP LEFT		TOP RIGHT	
BOTTOM LEFT		BOTTOM RIGHT	

OTHER FABRICATION NOTES IF NEEDED



80009 CUSTOM MINI SPRINT RADIATOR

CUSTOMER AND CAR INFORMATION

CUSTOMER NAME	VEHICLE MAKE
PHONE #	VEHICLE MODEL
ACCOUNT #	VEHICLE YEAR
INVOICE #	ENGINE SIZE
FUTURE SHIP DATE	
RELEASE EARLY GEN. TOL.	
SEE SALES PRIOR TO RELEASE	
CUSTOMER SIGNATURE	ADDITIONAL PART NUMBERS
SALES	FILE
ENGINEERING	MATERIAL
	DWG. NUMBER
	SIZE SCALE
	SHEET
	REV.

DRAWN BY: _____ DATE: _____
 CHECKED BY: _____ DATE: _____
 WEIGHT: _____

STANDARD RADIATOR OPTIONS

FILLER NECK		DRAIN BUNG	
BRACKETS		EXTRA BUNG	
NUMBER OF PASSES		ELECTRIC FAN	

RADIATOR TANK CORNER DESIGN

TOP LEFT		TOP RIGHT	
BOTTOM LEFT		BOTTOM RIGHT	