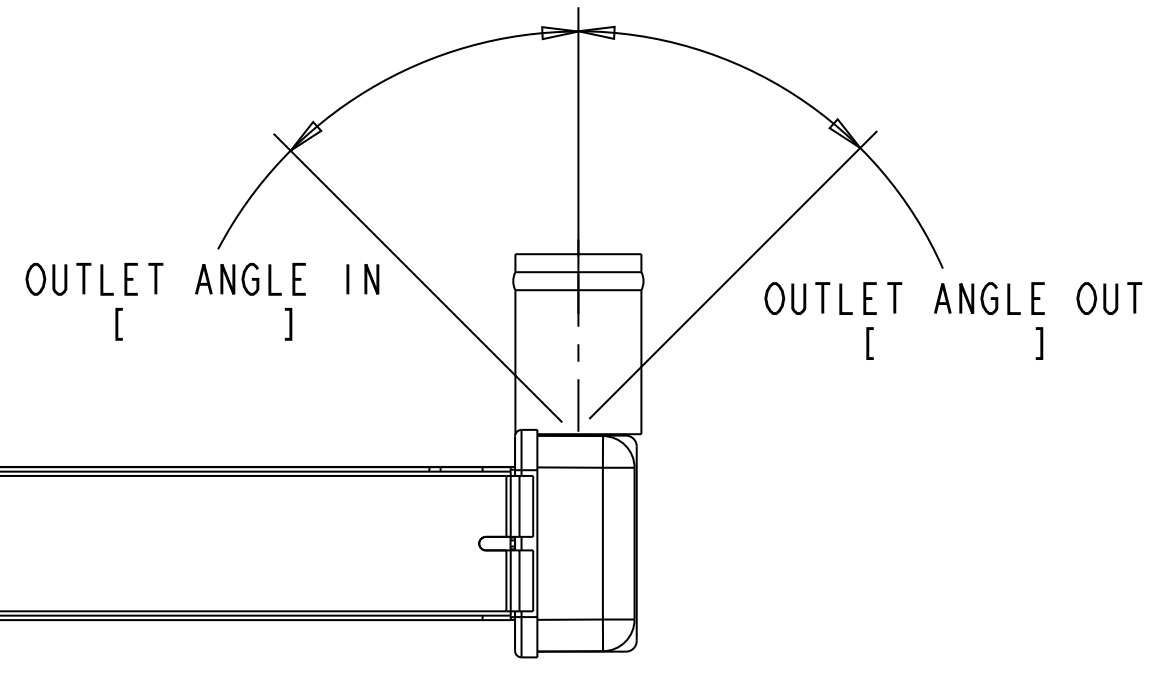
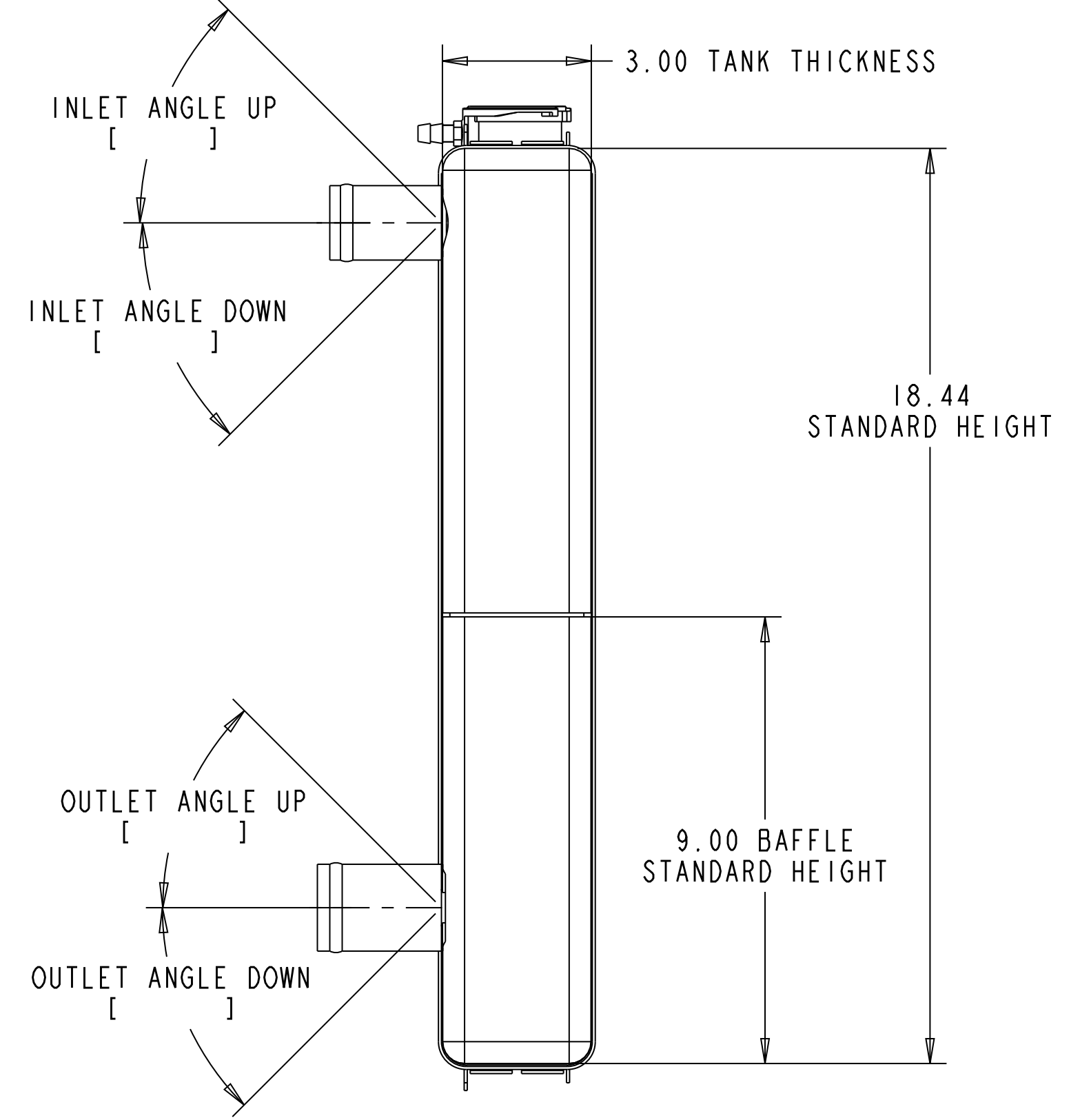
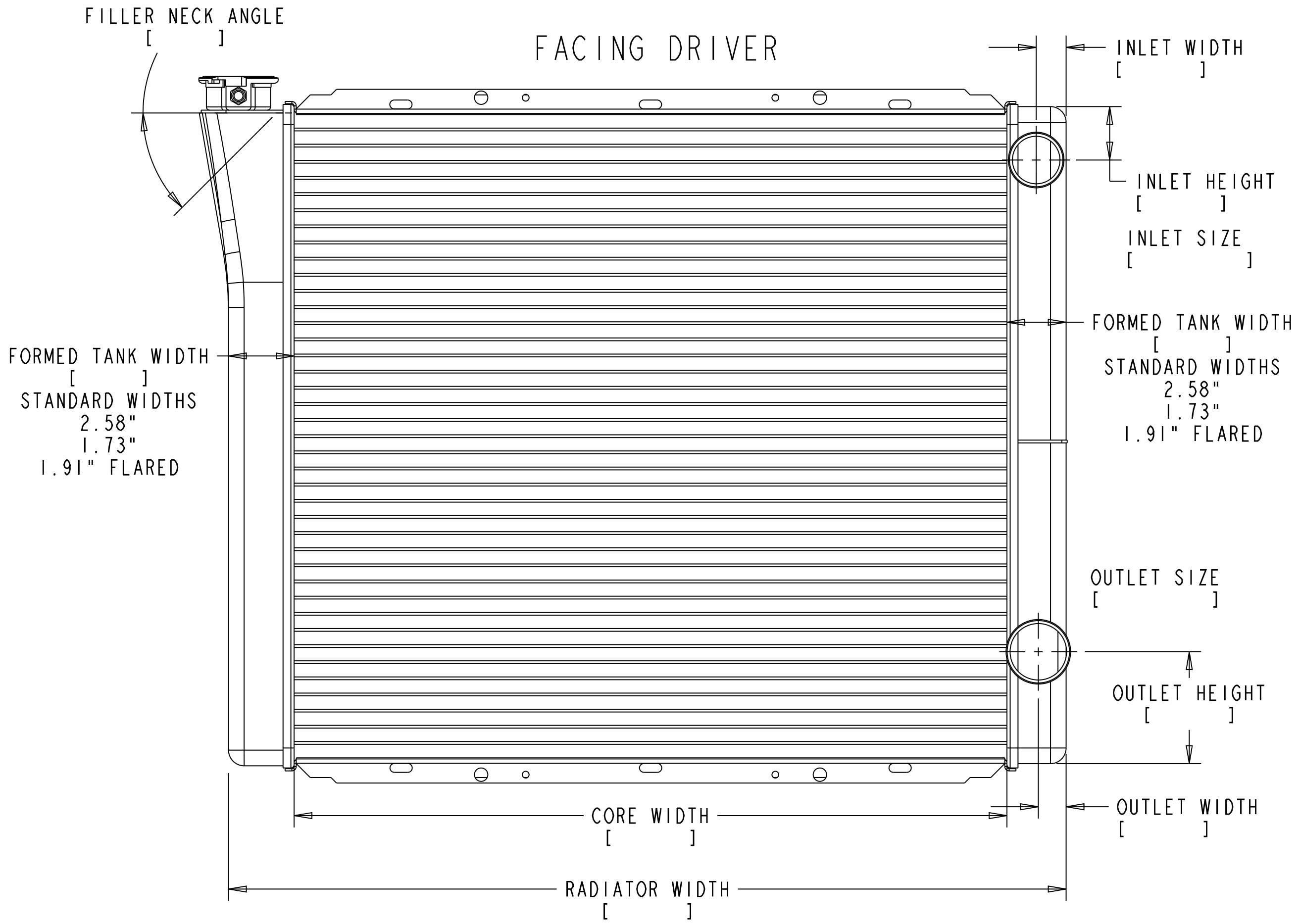
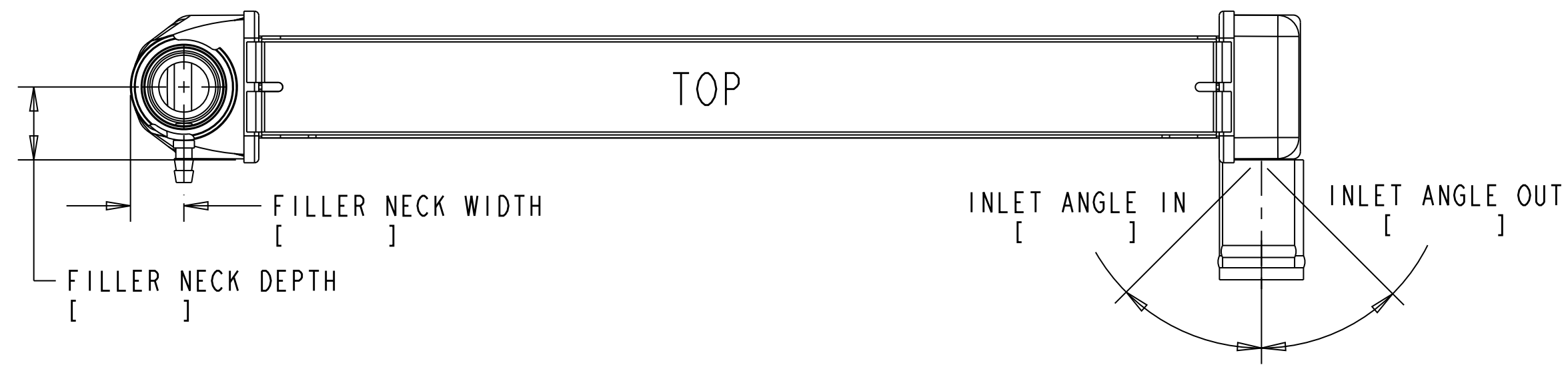


OTHER FABRICATION NOTES IF NEEDED

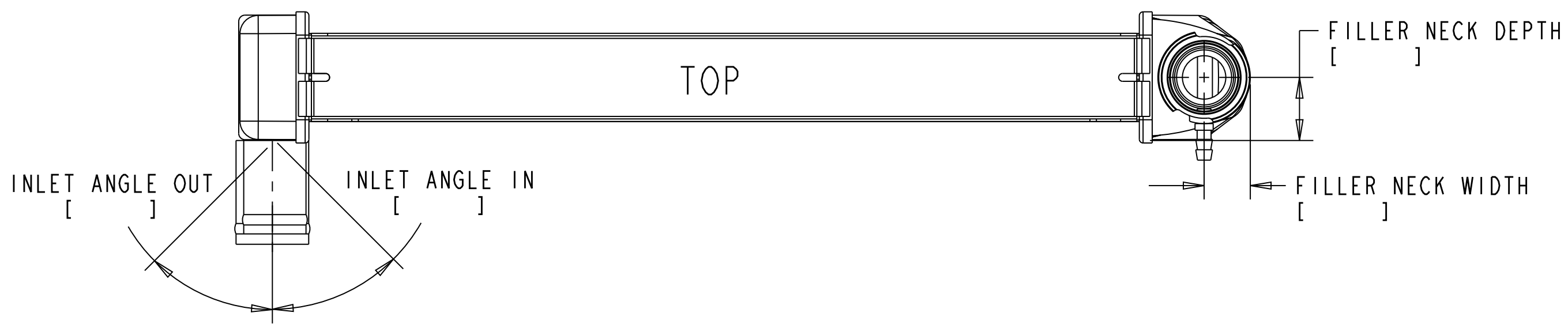


80008 CUSTOM DOUBLE PASS CIRCLE TRACK RADIATOR

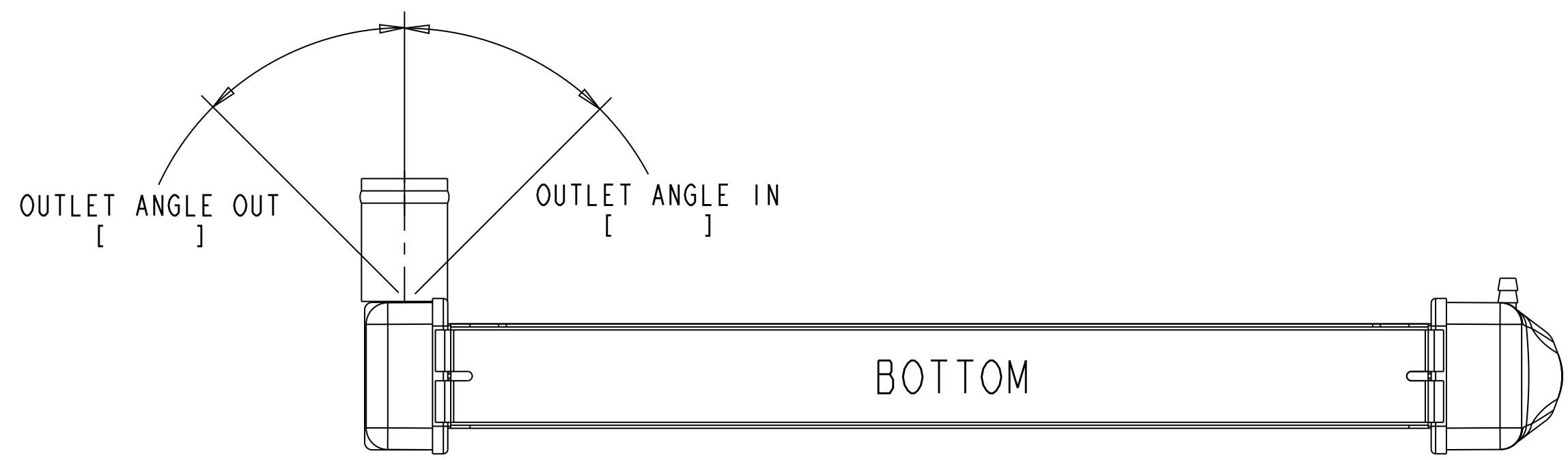
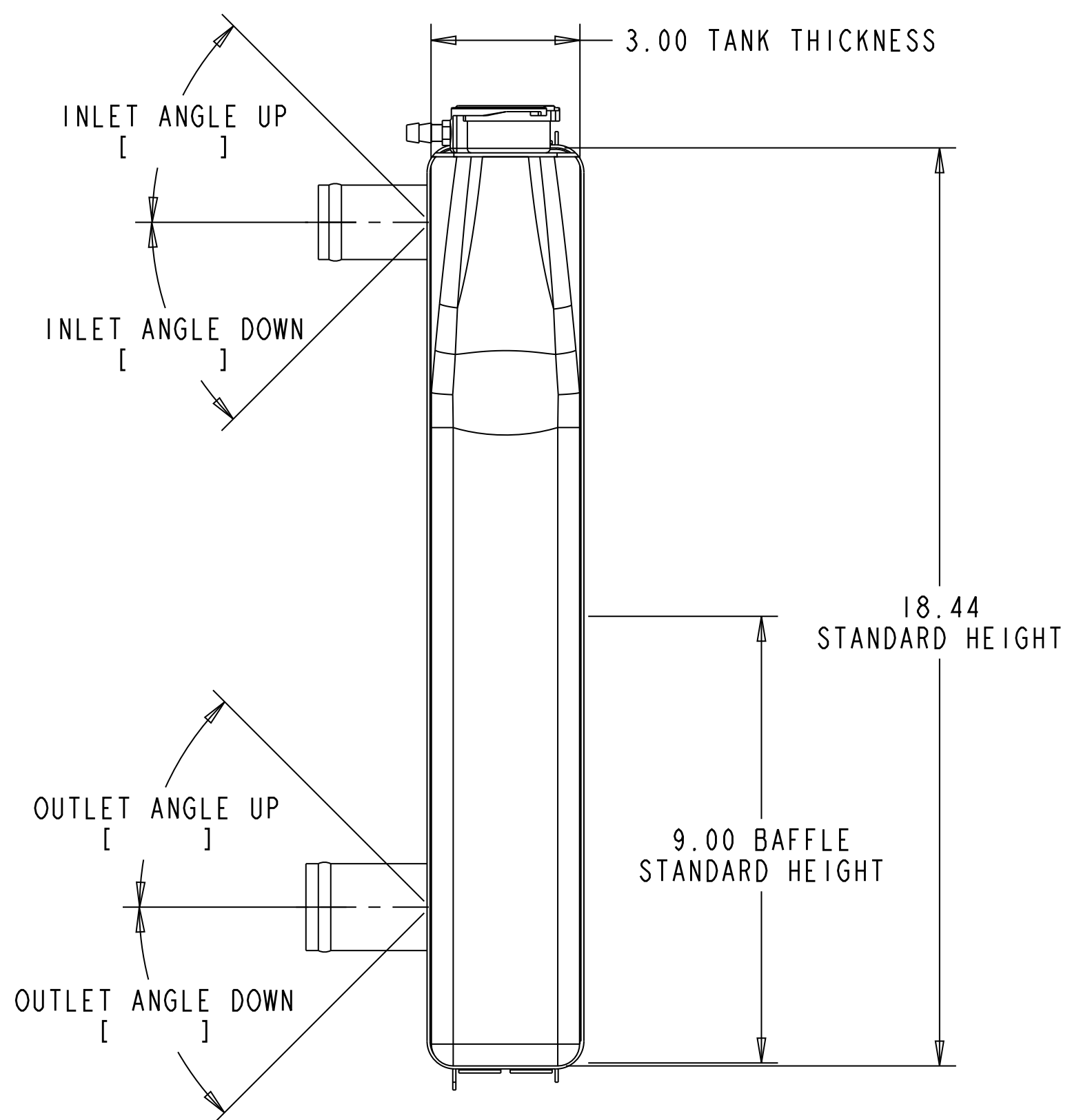
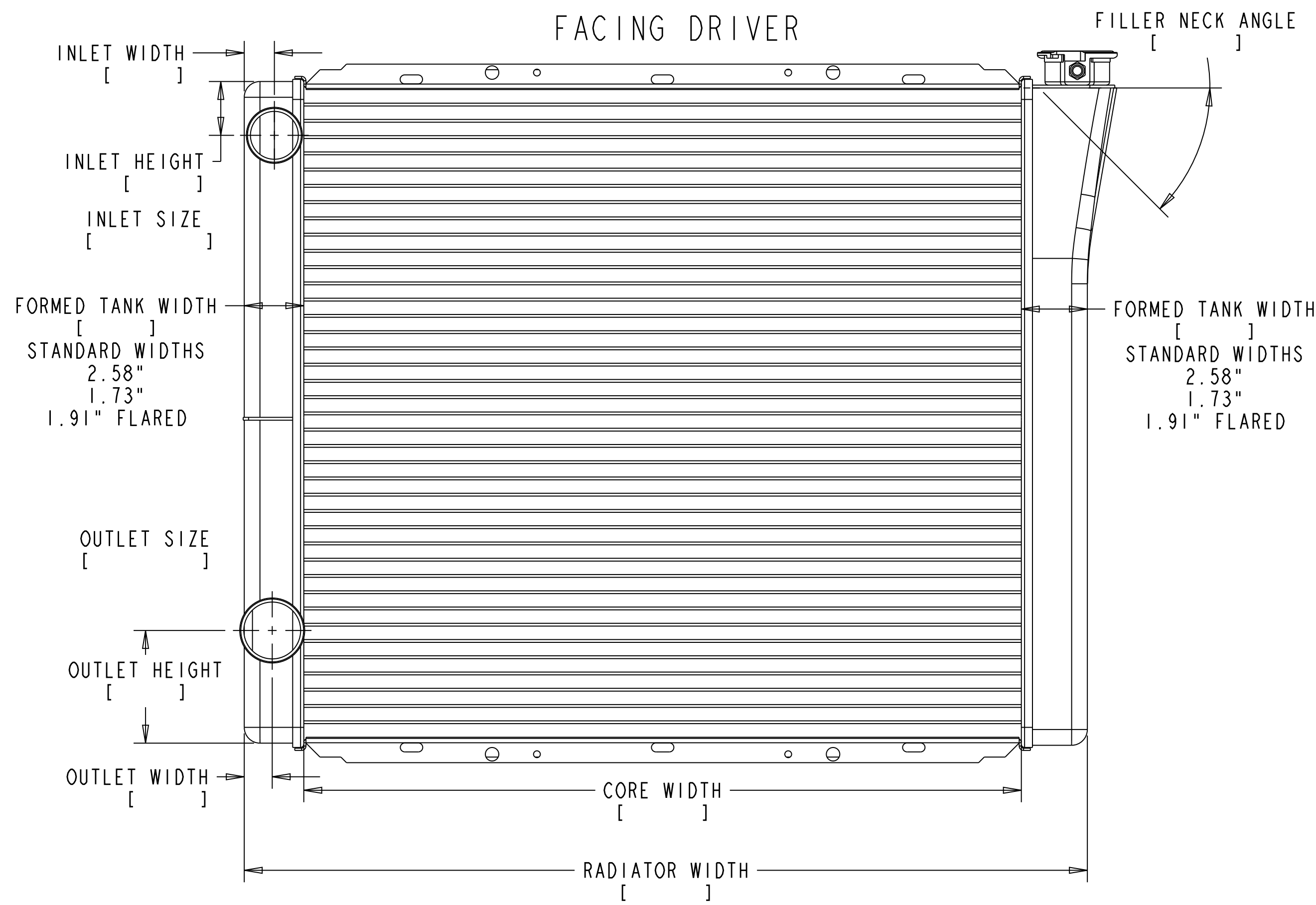
CUSTOMER AND CAR INFORMATION

CUSTOMER NAME	VEHICLE MAKE
PHONE #	VEHICLE MODEL
ACCOUNT #	VEHICLE YEAR
INVOICE #	ENGINE SIZE
FUTURE SHIP DATE	
RELEASE EARLY <small>GEN. TOL.</small>	
SEE SALES PRIOR TO RELEASE	
CUSTOMER SIGNATURE	ADDITIONAL PART NUMBERS
SALES	
ENGINEERING	

TITLE _____
 MATERIAL _____
 ENG. NUMBER _____
 SIZE _____ SCALE _____ SHEET _____ REV. _____



OTHER FABRICATION NOTES IF NEEDED



80008 CUSTOM DOUBLE PASS CIRCLE TRACK RADIATOR

CUSTOMER AND CAR INFORMATION

CUSTOMER NAME	VEHICLE MAKE
PHONE #	VEHICLE MODEL
ACCOUNT #	VEHICLE YEAR
INVOICE #	ENGINE SIZE
FUTURE SHIP DATE	
RELEASE EARLY <small>GEN. TOL.</small>	
SEE SALES PRIOR TO RELEASE	
CUSTOMER SIGNATURE	ADDITIONAL PART NUMBERS
SALES	
ENGINEERING	

TITLE _____
 MATERIAL _____
 DWG. NUMBER _____
 SIZE _____ SCALE _____ SHEET _____ REV. _____