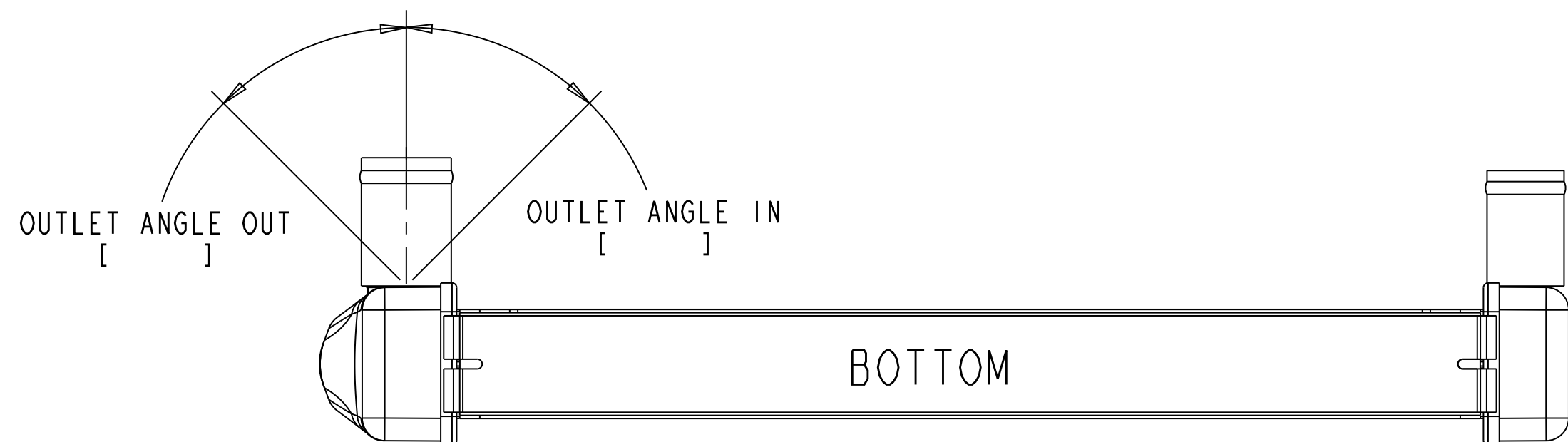
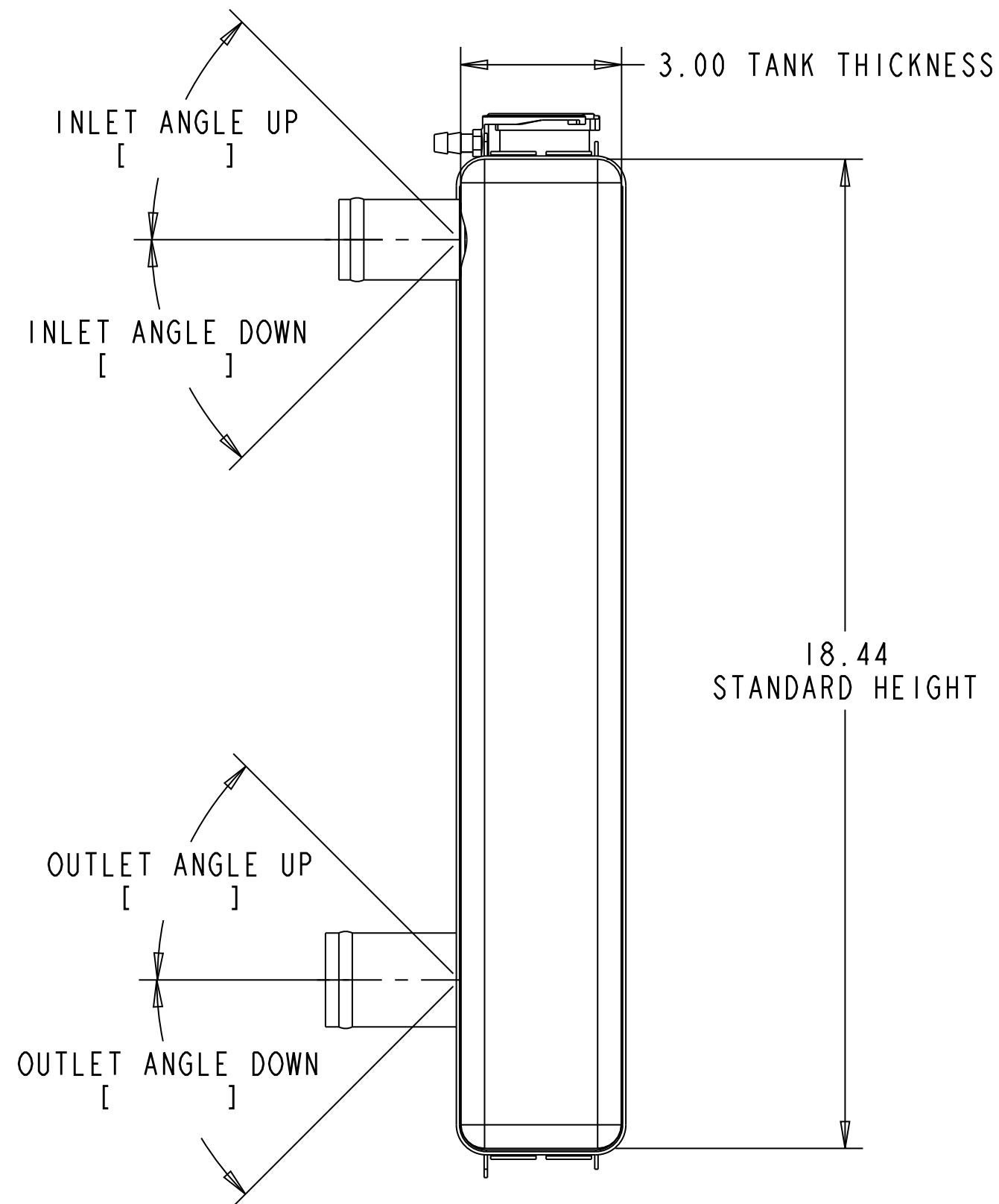
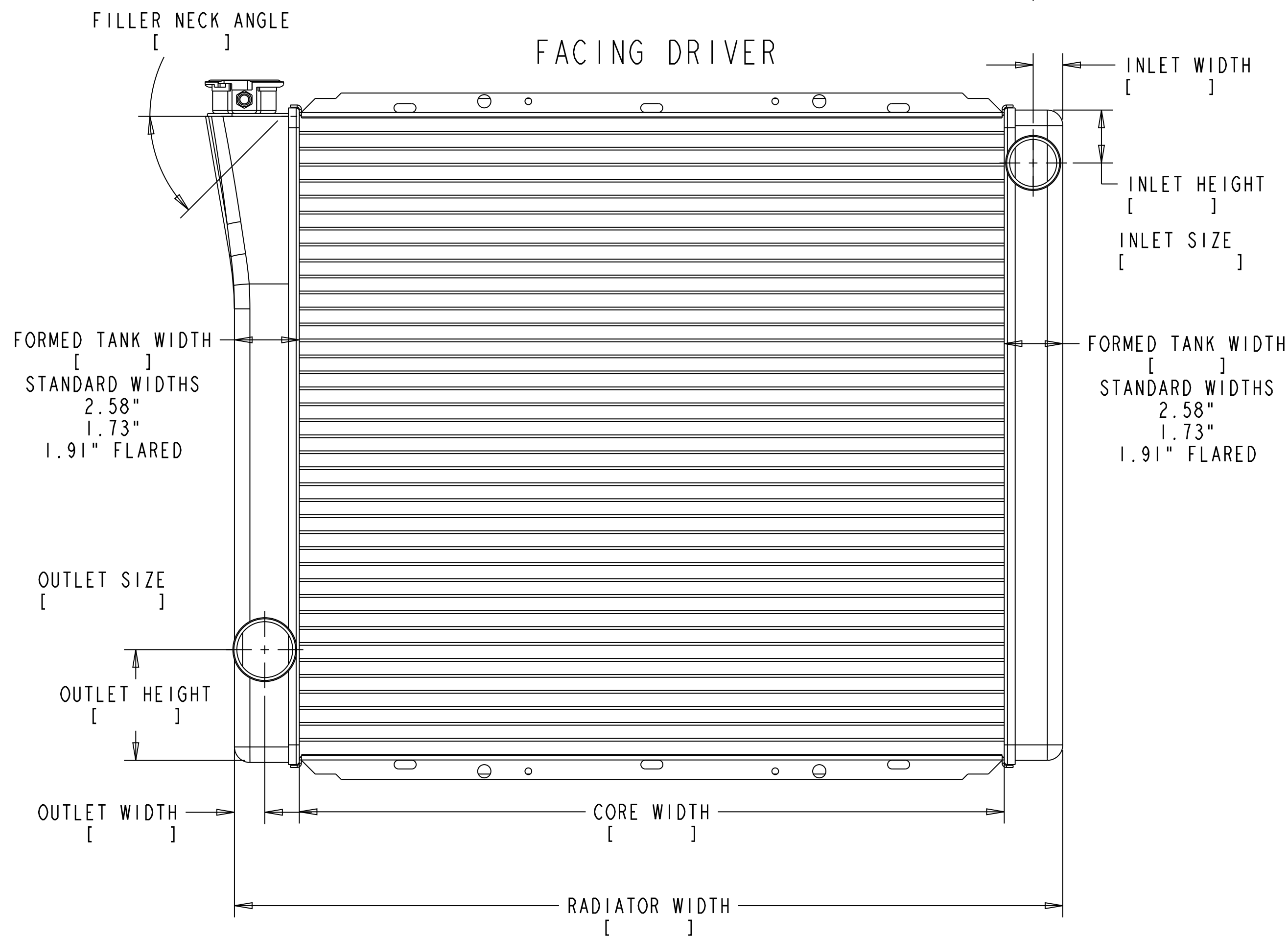


OTHER FABRICATION NOTES IF NEEDED



80007 CUSTOM SINGLE PASS CIRCLE TRACK RADIATOR

CUSTOMER AND CAR INFORMATION

CUSTOMER NAME	VEHICLE MAKE
PHONE #	VEHICLE MODEL
ACCOUNT #	VEHICLE YEAR
INVOICE #	ENGINE SIZE

FUTURE SHIP DATE

RELEASE EARLY GEN. TOL.

SEE SALES PRIOR TO RELEASE

CUSTOMER SIGNATURE

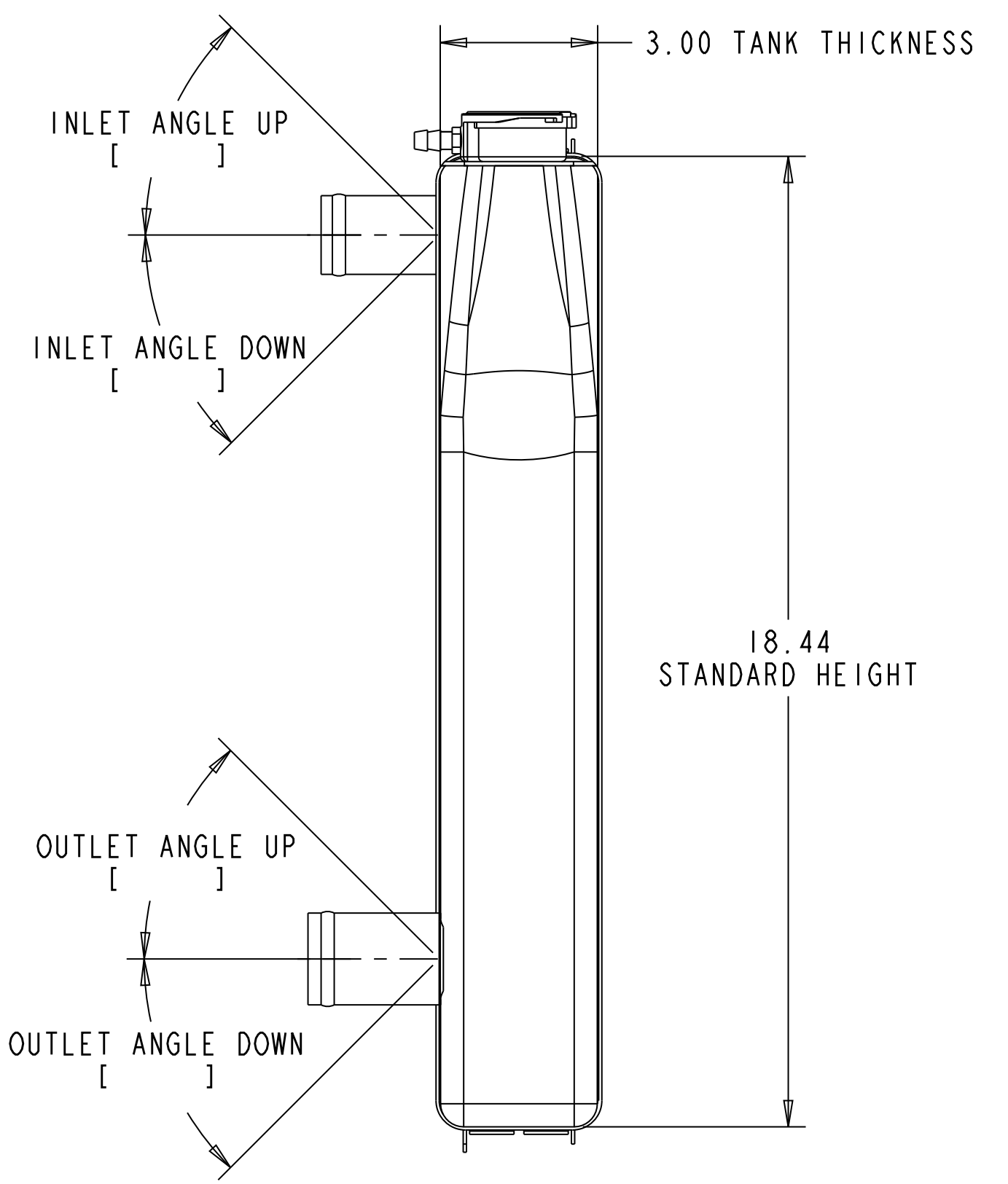
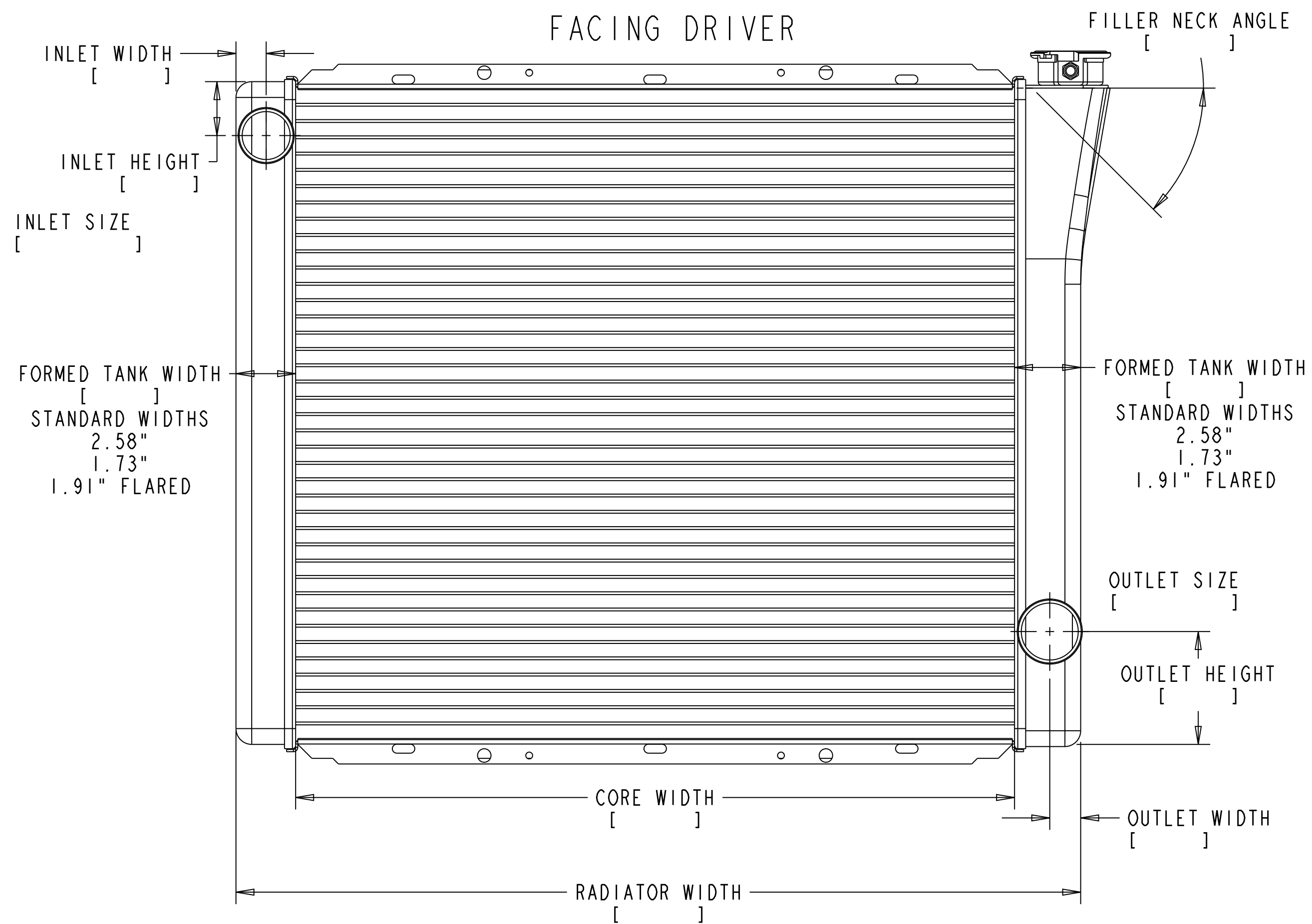
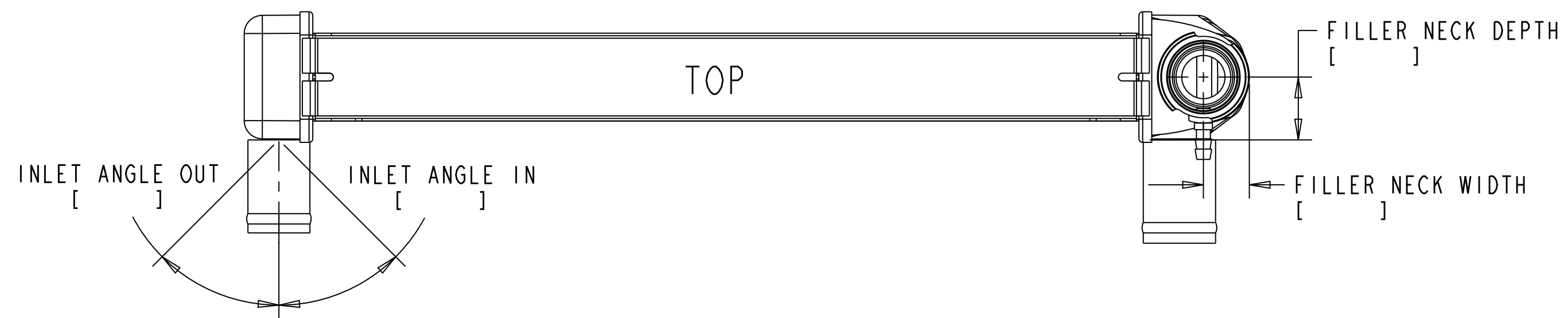
SALES

ENGINEERING

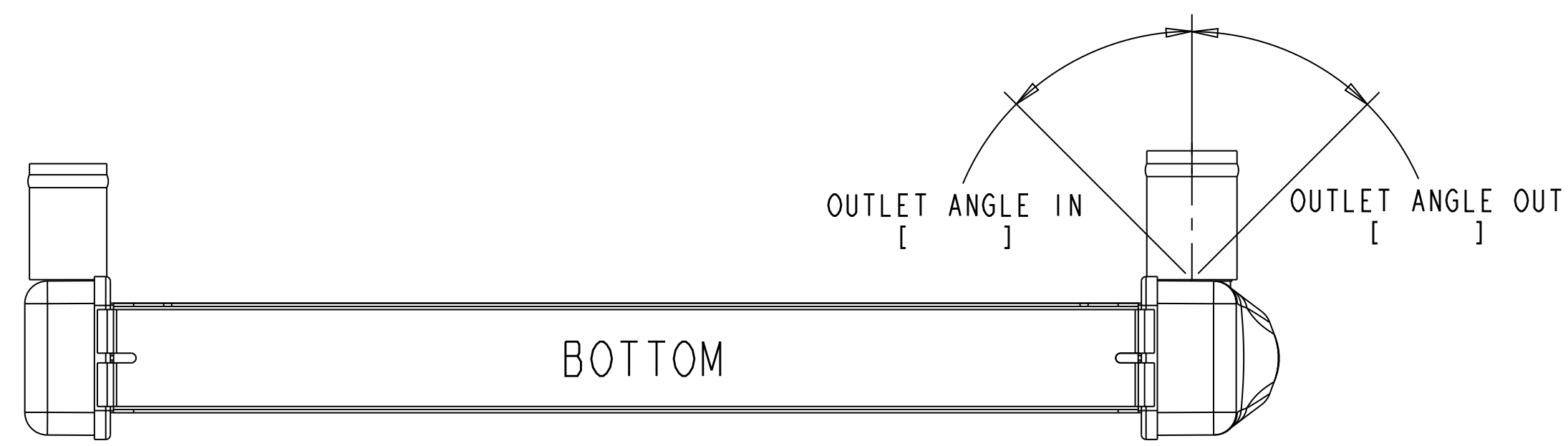


ADDITIONAL PART NUMBERS

FILE	DATE	MATERIAL	SIZE	SCALE	SHEET	REV.
DRAWN BY:	DATE	ENG. NUMBER				
CHECKED BY:	DATE					
WEIGHT:						



OTHER FABRICATION NOTES IF NEEDED



80007 CUSTOM SINGLE PASS CIRCLE TRACK RADIATOR

CUSTOMER AND CAR INFORMATION

CUSTOMER NAME	VEHICLE MAKE
PHONE #	VEHICLE MODEL
ACCOUNT #	VEHICLE YEAR
INVOICE #	ENGINE SIZE
FUTURE SHIP DATE	
RELEASE EARLY <small>GEN. TOL.</small>	
SEE SALES PRIOR TO RELEASE	
CUSTOMER SIGNATURE	ADDITIONAL PART NUMBERS
SALES	
ENGINEERING	

TITLE _____
 MATERIAL _____
 DWG. NUMBER _____
 SIZE _____ SCALE _____ SHEET _____ REV. _____