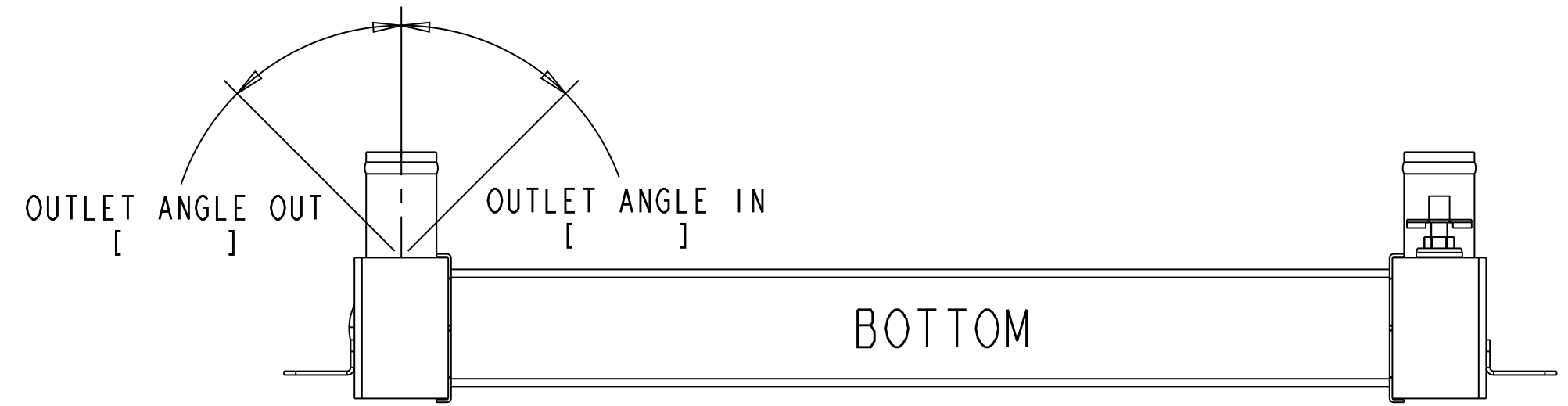
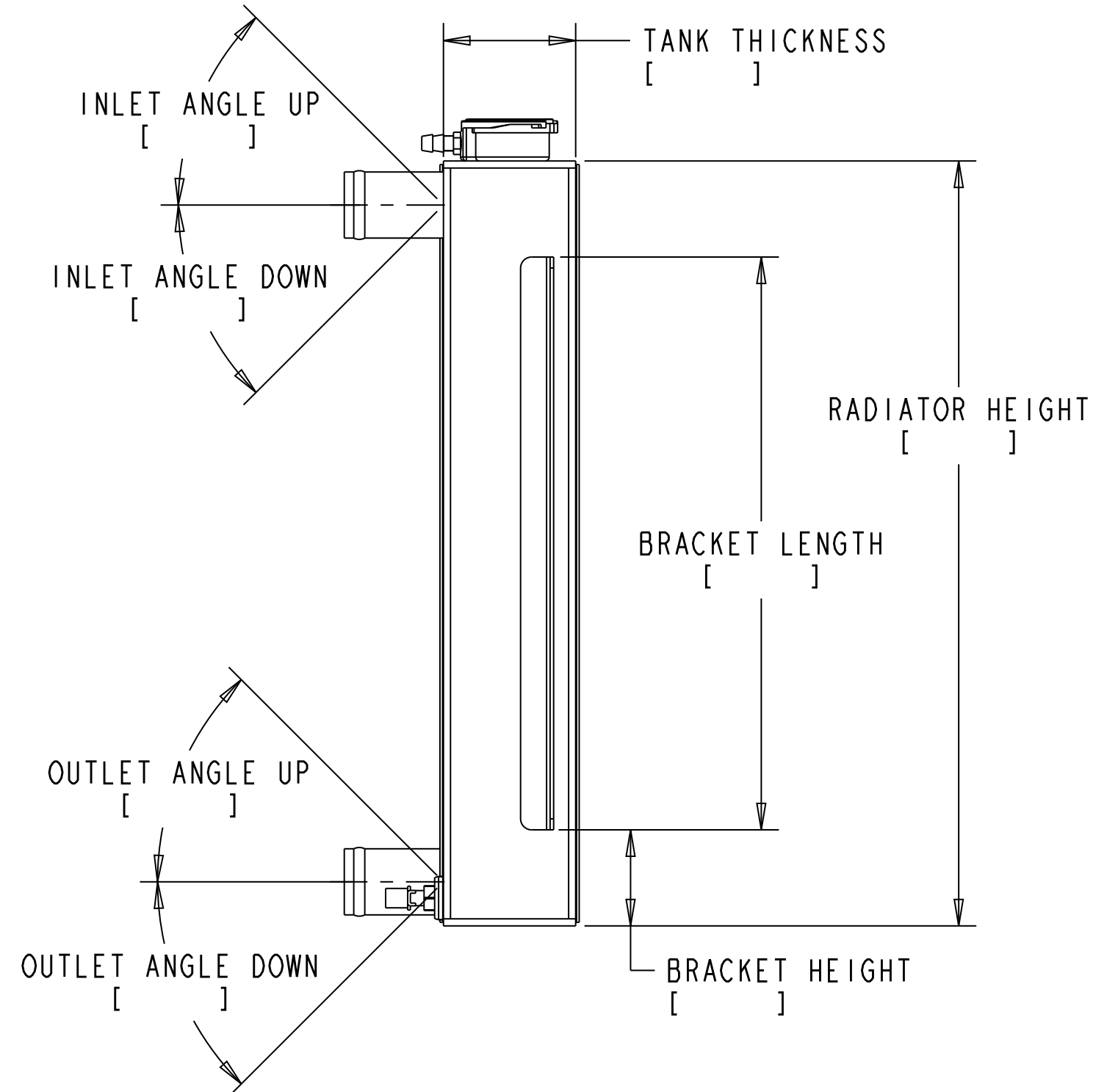
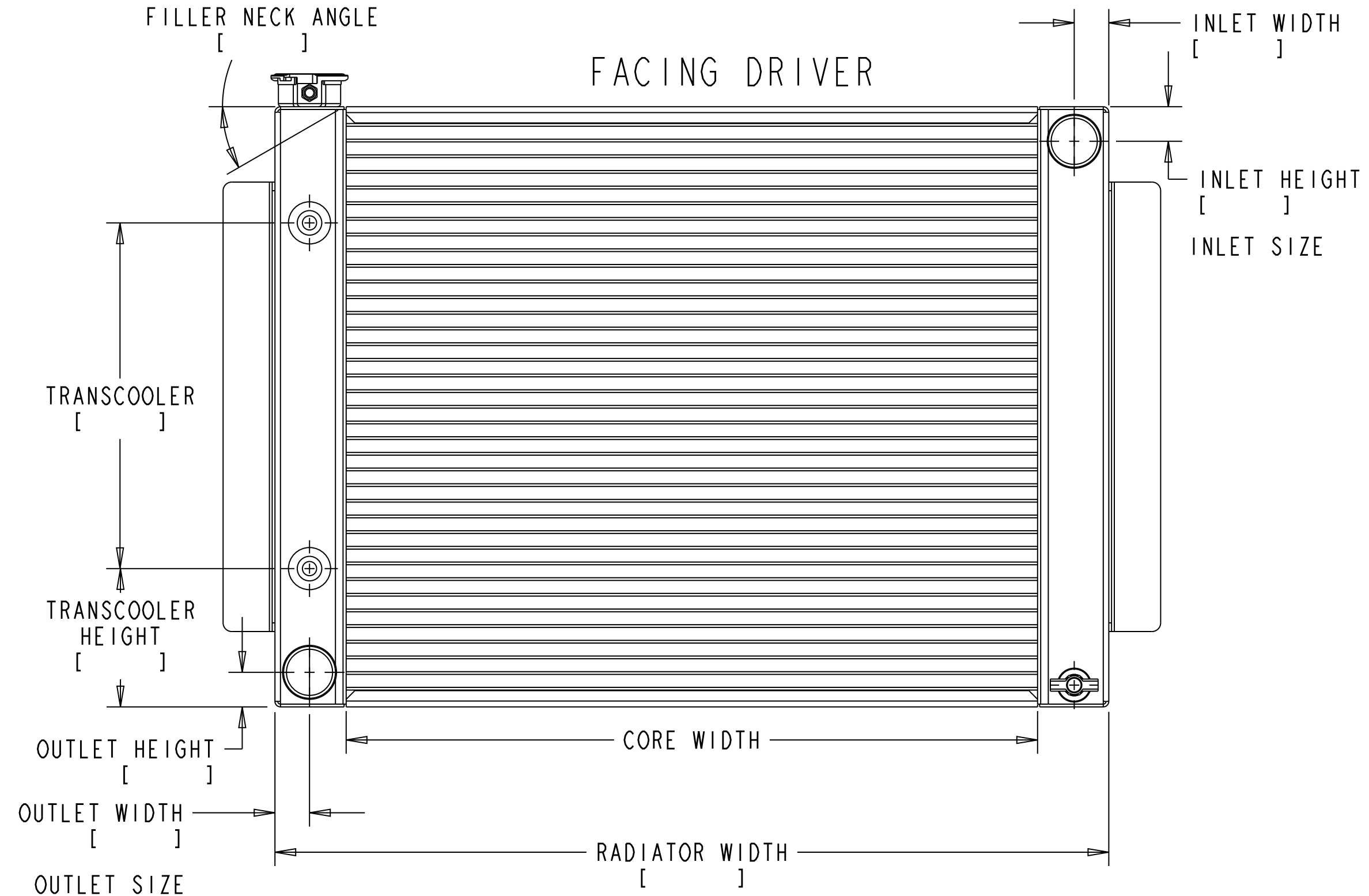




OTHER FABRICATION NOTES IF NEEDED



80003 CUSTOM SINGLE PASS HIGH PERFORMANCE RADIATOR

CUSTOMER AND CAR INFORMATION

CUSTOMER NAME	VEHICLE MAKE
PHONE #	VEHICLE MODEL
ACCOUNT #	VEHICLE YEAR
INVOICE #	ENGINE SIZE
FUTURE SHIP DATE	
RELEASE EARLY <small>GEN. TOL.</small>	
SEE SALES PRIOR TO RELEASE	
CUSTOMER SIGNATURE	ADDITIONAL PART NUMBERS
SALES	TITLE
ENGINEERING	MATERIAL
	ENG. NUMBER
	SIZE SCALE
	SHEET
	REV.

DRY WEIGHT: [ ]      DATE: [ ]

CHECKED BY: [ ]      DATE: [ ]

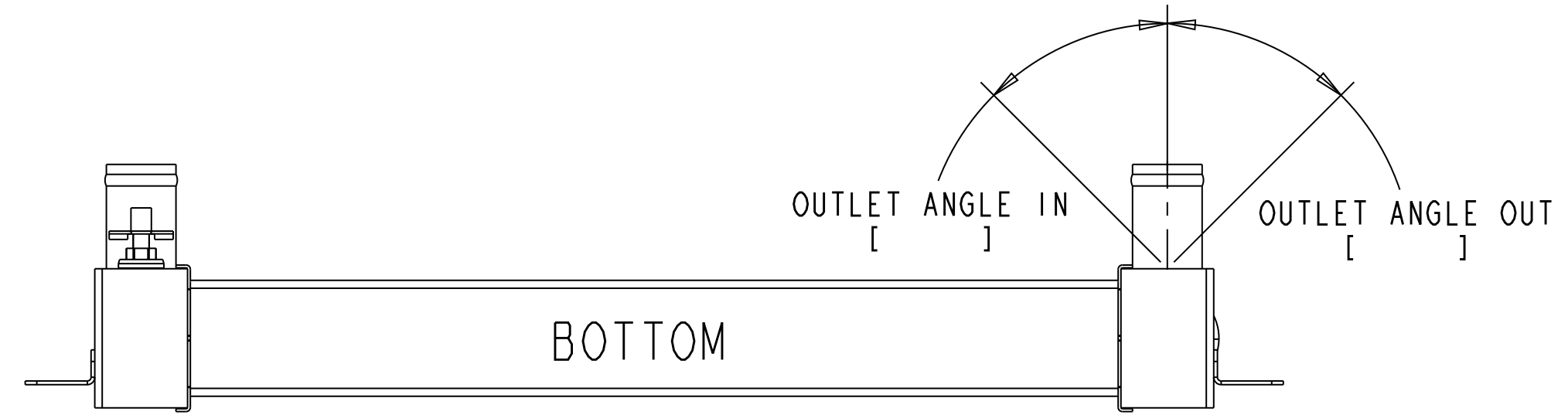
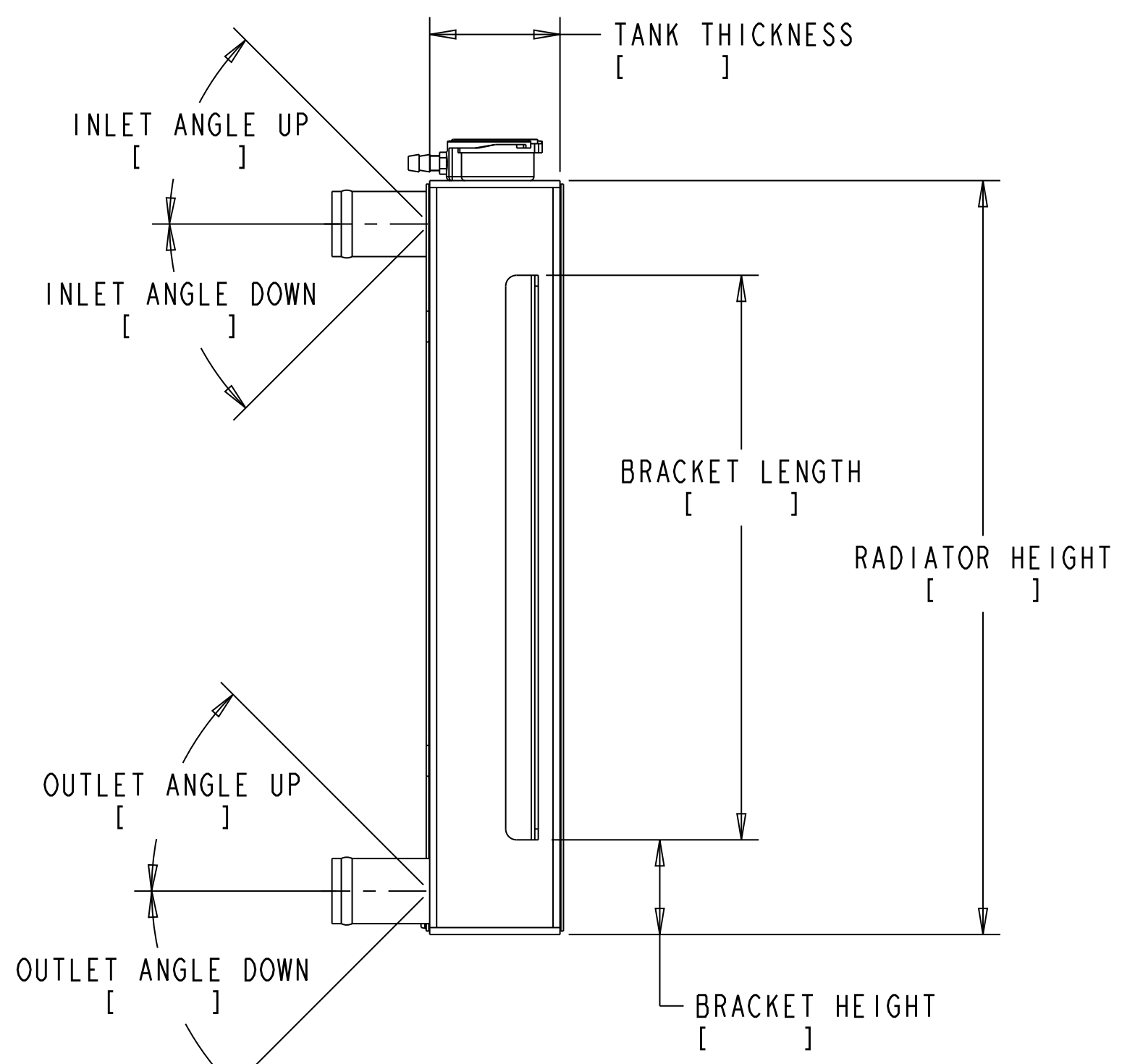
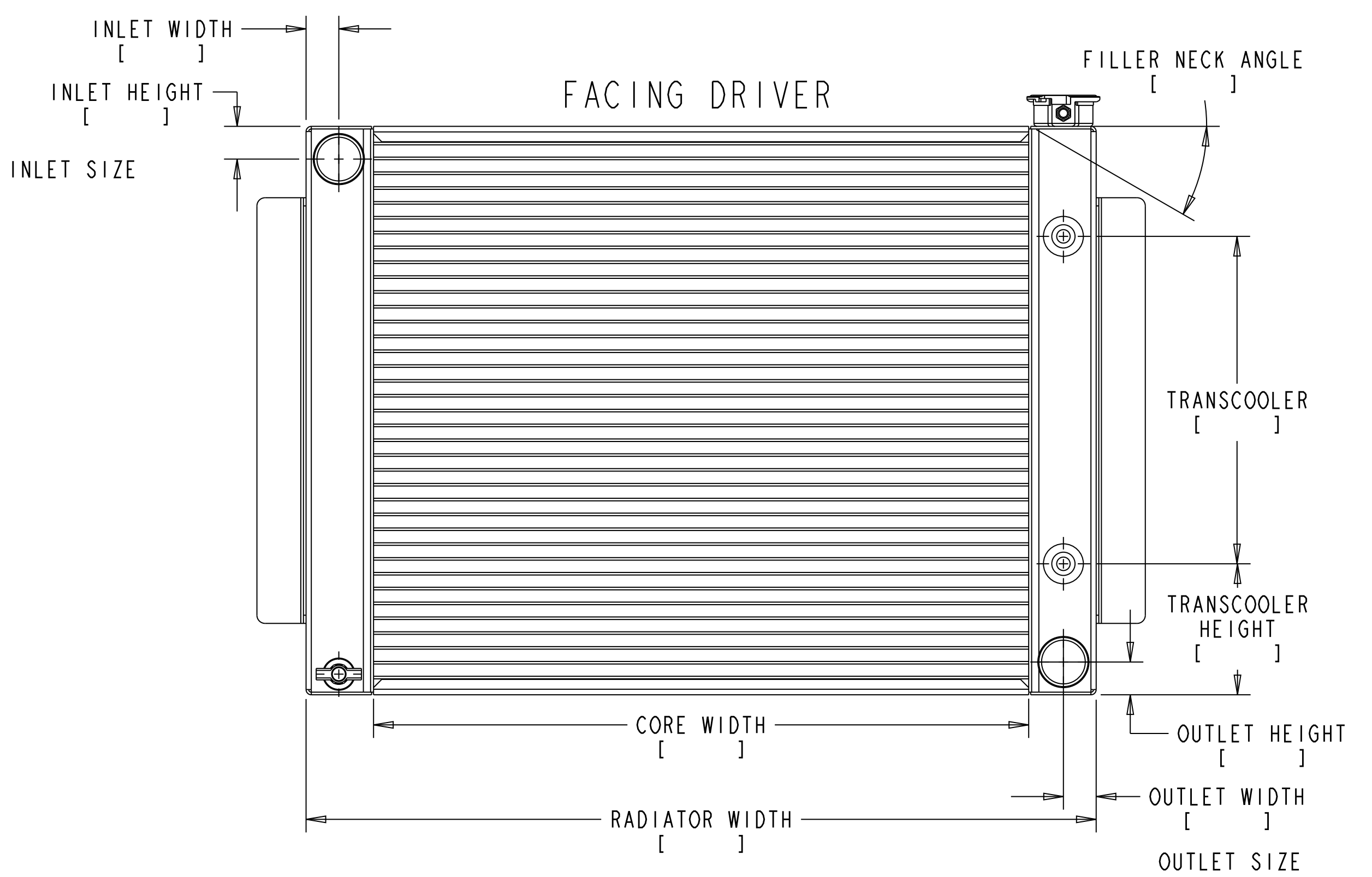
WEIGHT: [ ]

STANDARD RADIATOR OPTIONS

FILLER NECK		DRAIN BUNG	
BRACKETS		EXTRA BUNG	
TRANSCOOLER		STEAM BUNG (LS)	
OIL COOLER		CONDENSER	

RADIATOR TANK CORNER DESIGN

TOP LEFT		TOP RIGHT	
BOTTOM LEFT		BOTTOM RIGHT	



OTHER FABRICATION NOTES IF NEEDED

80003 CUSTOM SINGLE PASS HIGH PERFORMANCE RADIATOR

CUSTOMER AND CAR INFORMATION

CUSTOMER NAME	VEHICLE MAKE
PHONE #	VEHICLE MODEL
ACCOUNT #	VEHICLE YEAR
INVOICE #	ENGINE SIZE
FUTURE SHIP DATE	
RELEASE EARLY <small>GEN. TOL.</small>	
SEE SALES PRIOR TO RELEASE	
CUSTOMER SIGNATURE	ADDITIONAL PART NUMBERS
SALES	FILE
ENGINEERING	MATERIAL
	ENG. NUMBER
	SIZE SCALE SHEET REV.

DRAWN BY: \_\_\_\_\_ DATE \_\_\_\_\_

CHECKED BY: \_\_\_\_\_ DATE \_\_\_\_\_

WEIGHT: \_\_\_\_\_

STANDARD RADIATOR OPTIONS

FILLER NECK		DRAIN BUNG	
BRACKETS		EXTRA BUNG	
TRANSCOOLER		STEAM BUNG (LS)	
OIL COOLER		CONDENSER	

RADIATOR TANK CORNER DESIGN

TOP LEFT		TOP RIGHT	
BOTTOM LEFT		BOTTOM RIGHT	