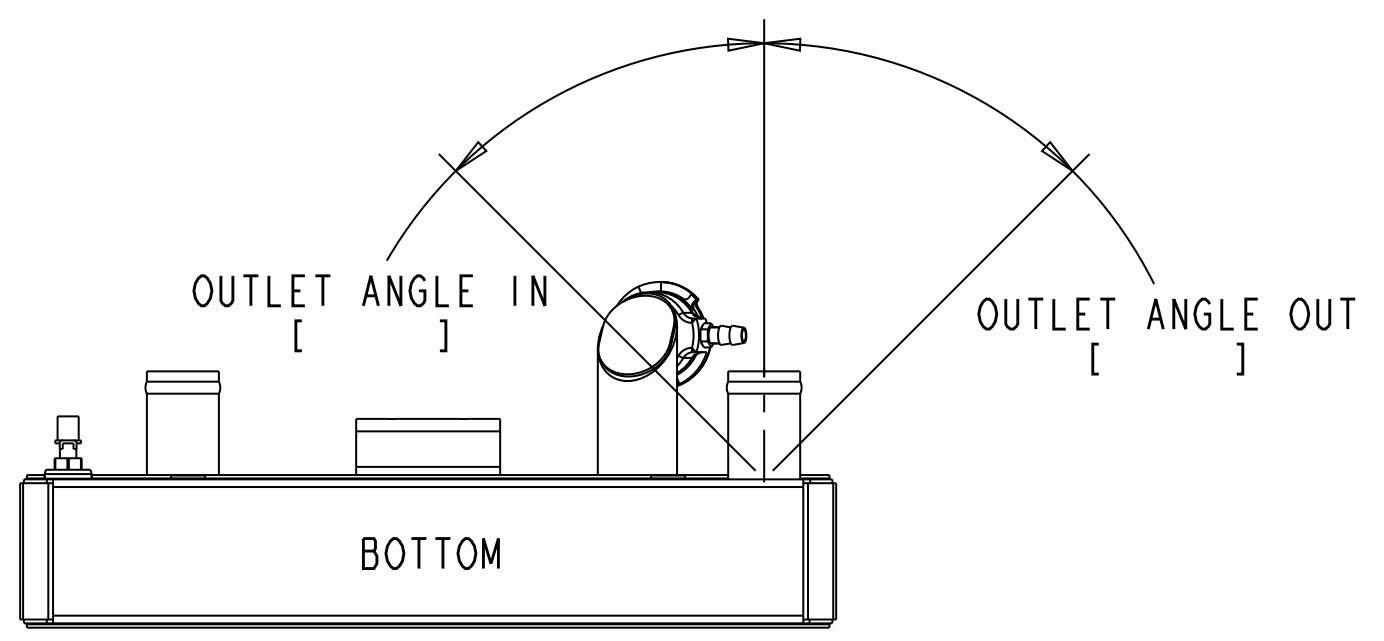
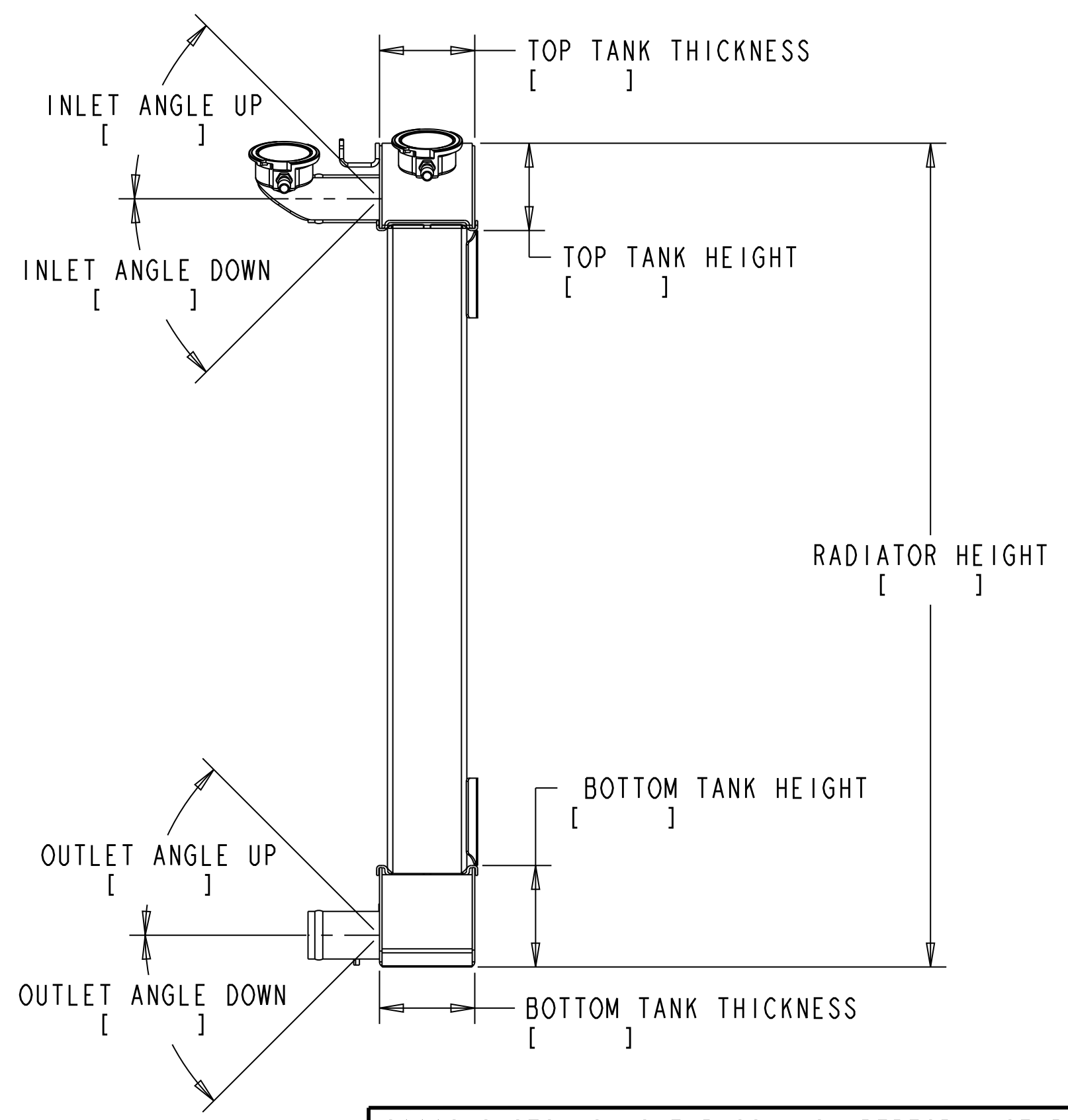
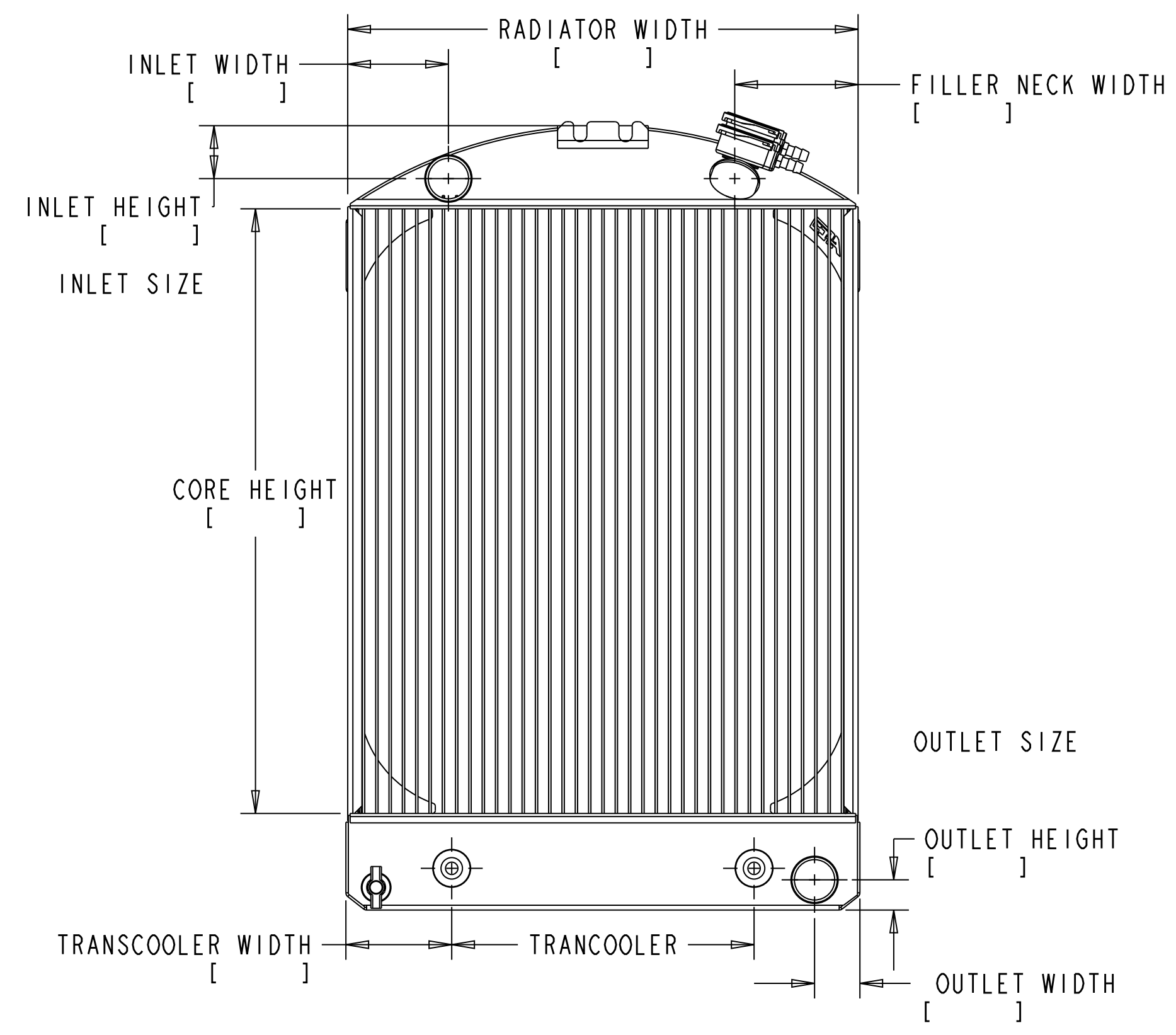
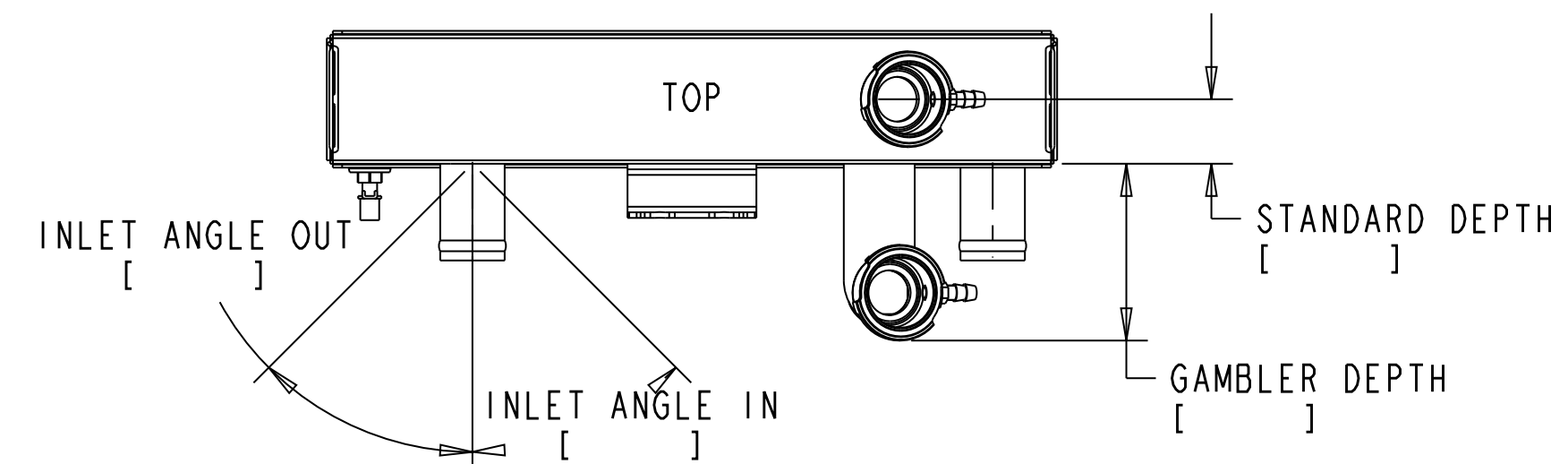


OTHER FABRICATION NOTES IF NEEDED



80002 CUSTOM SINGLE PASS HIGH PERFORMANCE RADIATOR

CUSTOMER NAME	VEHICLE MAKE
PHONE #	VEHICLE MODEL
ACCOUNT #	VEHICLE YEAR
INVOICE #	ENGINE SIZE
FUTURE SHIP DATE	
RELEASE EARLY <small>GEN. TOL.</small>	
SEE SALES PRIOR TO RELEASE	
CUSTOMER SIGNATURE	
SALES	
ENGINEERING	

ADDITIONAL PART NUMBERS

TITLE

MATERIAL

ENG. NUMBER

SIZE SCALE SHEET REV.

DRAWN BY: DATE

CHECKED BY: DATE

WEIGHT:

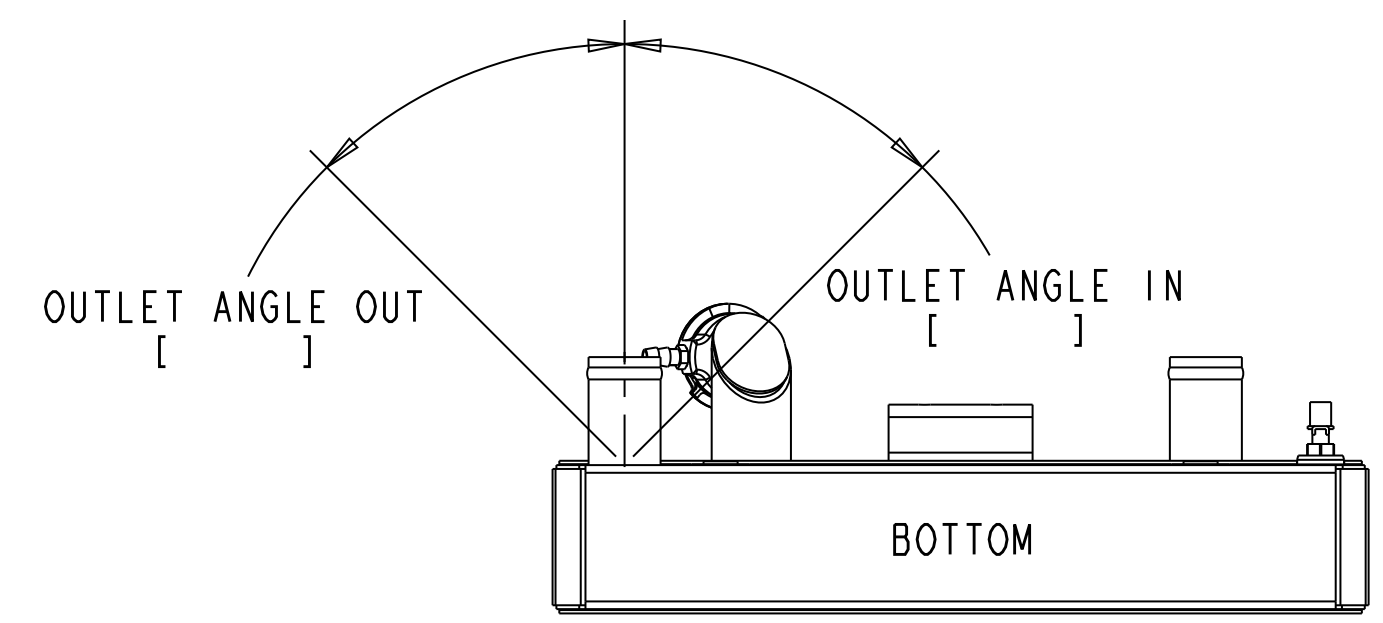
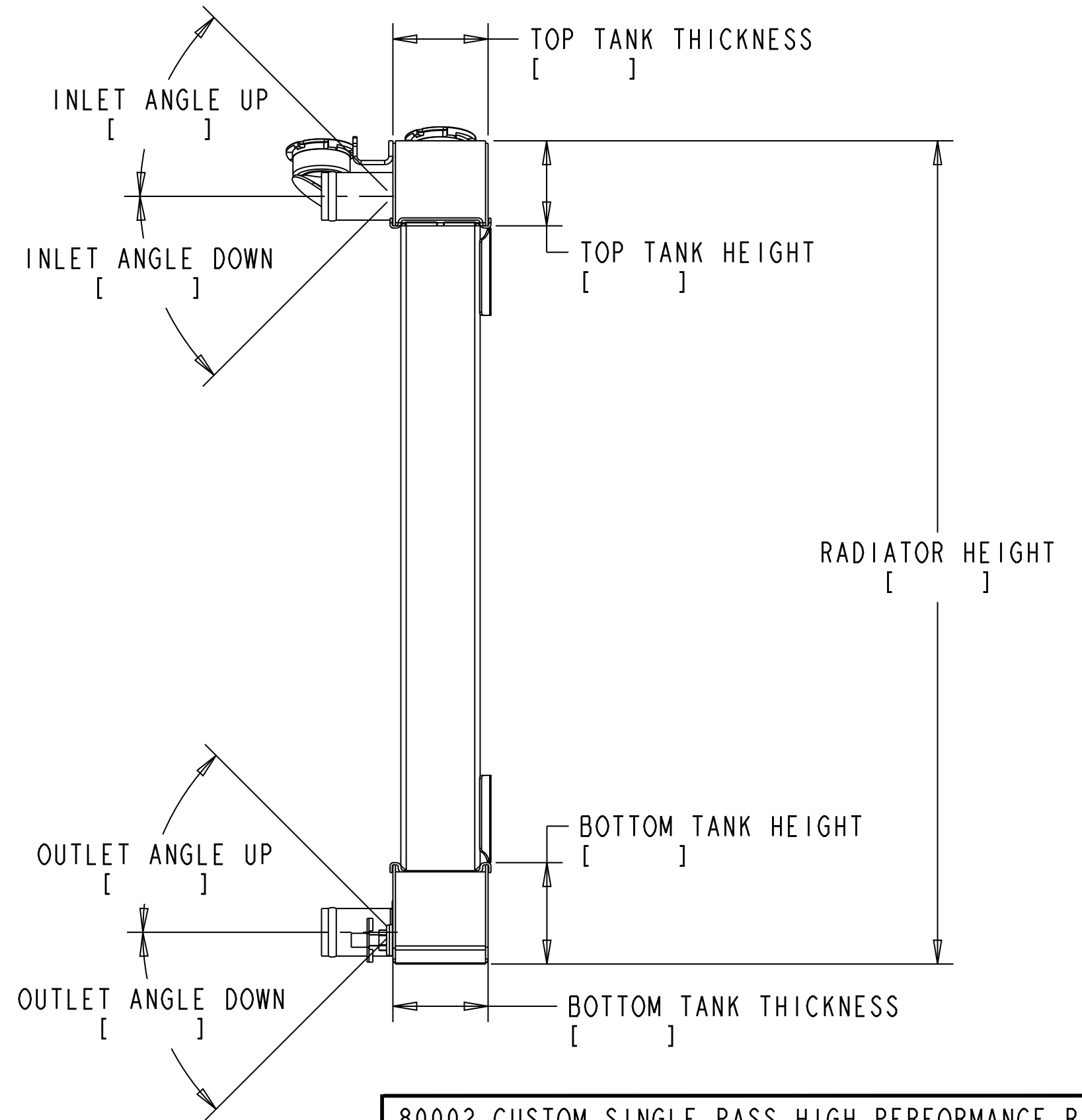
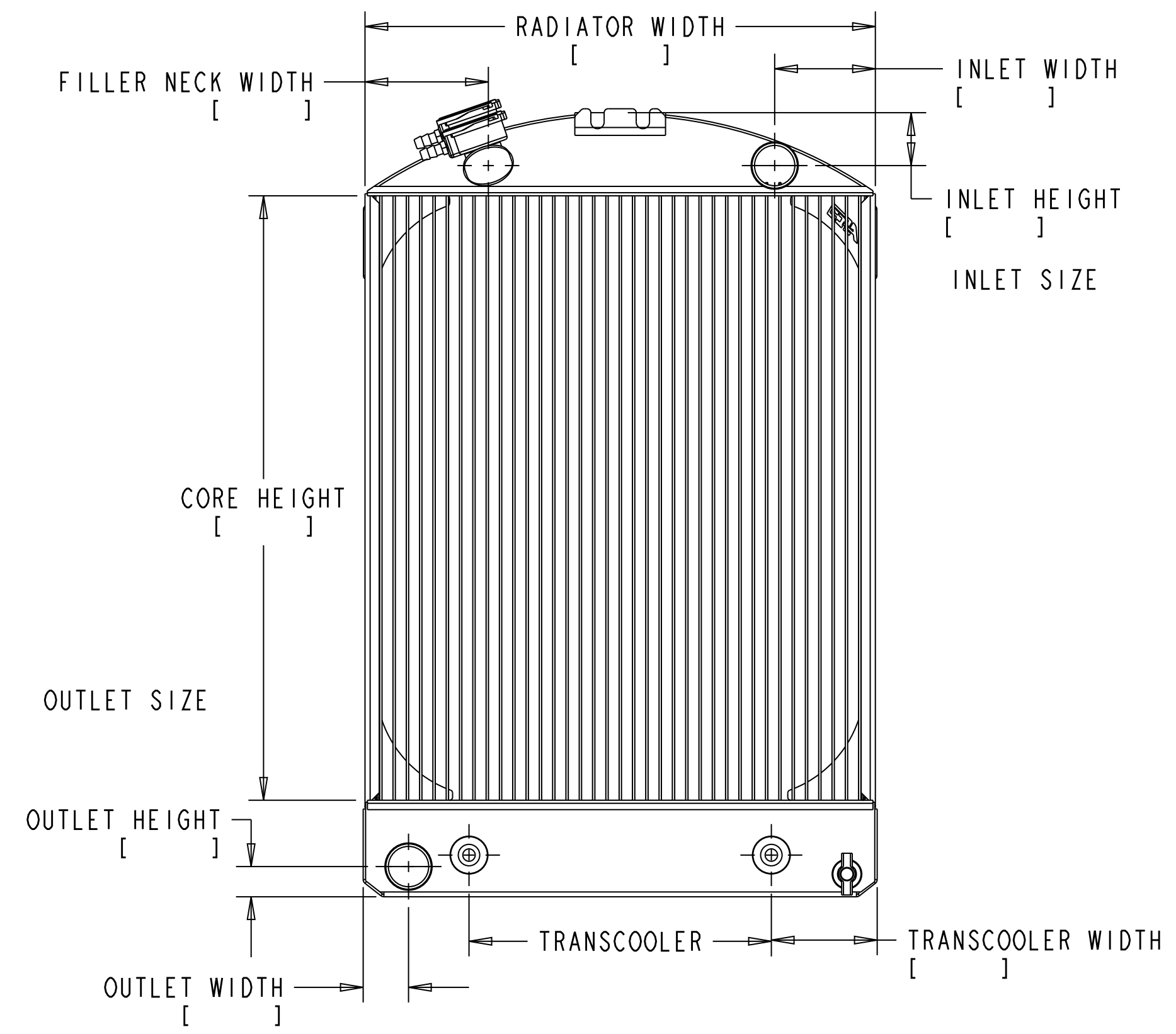
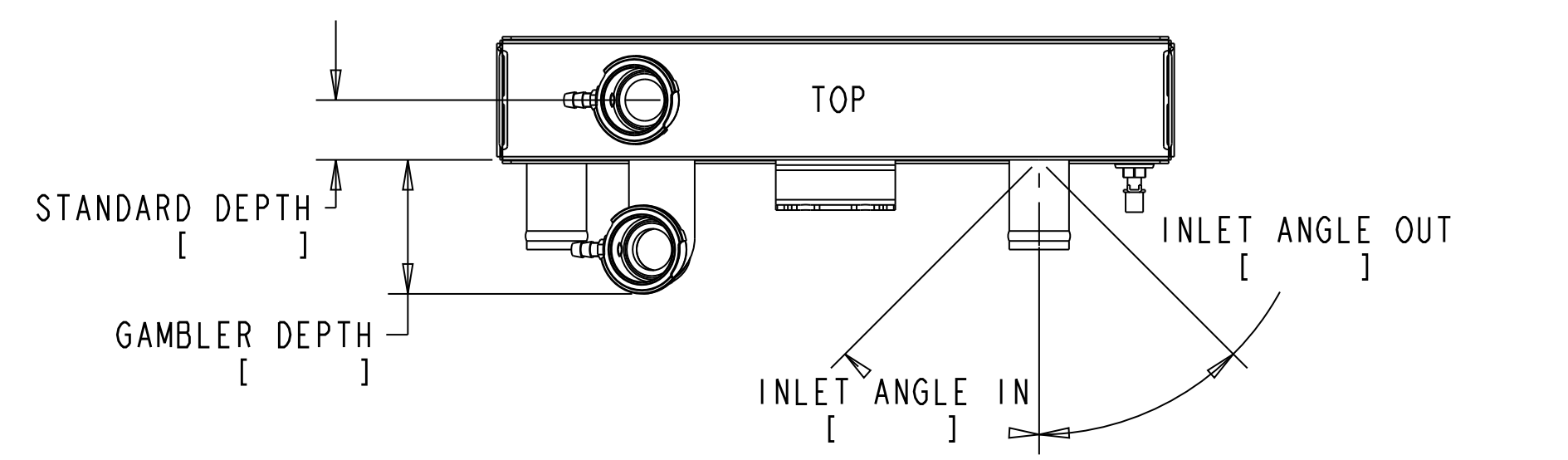
STANDARD RADIATOR OPTIONS

FILLER NECK		DRAIN BUNG	
BRACKETS		EXTRA BUNG	
MOUNTING FEET		TRANSCOOLER	
HOOD ROD MOUNT		CONDENSER	

RADIATOR TANK DESIGN

TOP TANK	
BOTTOM TANK	

OTHER FABRICATION NOTES IF NEEDED



**80002 CUSTOM SINGLE PASS HIGH PERFORMANCE RADIATOR**

**CUSTOMER AND CAR INFORMATION**

CUSTOMER NAME	VEHICLE MAKE
PHONE #	VEHICLE MODEL
ACCOUNT #	VEHICLE YEAR
INVOICE #	ENGINE SIZE
FUTURE SHIP DATE	
RELEASE EARLY <small>GEN. TOL.</small>	
SEE SALES PRIOR TO RELEASE	
CUSTOMER SIGNATURE	ADDITIONAL PART NUMBERS
SALES	TITLE
ENGINEERING	MATERIAL
	ENG. NUMBER
	SIZE SCALE SHEET REV.

DRY: DATE  
CHECKED BY: DATE  
WEIGHT:

STANDARD RADIATOR OPTIONS

FILLER NECK		DRAIN BUNG	
BRACKETS		EXTRA BUNG	
MOUNTING FEET		TRANSCOOLER	
HOOD ROD MOUNT		CONDENSER	

RADIATOR TANK DESIGN

TOP TANK	
BOTTOM TANK	